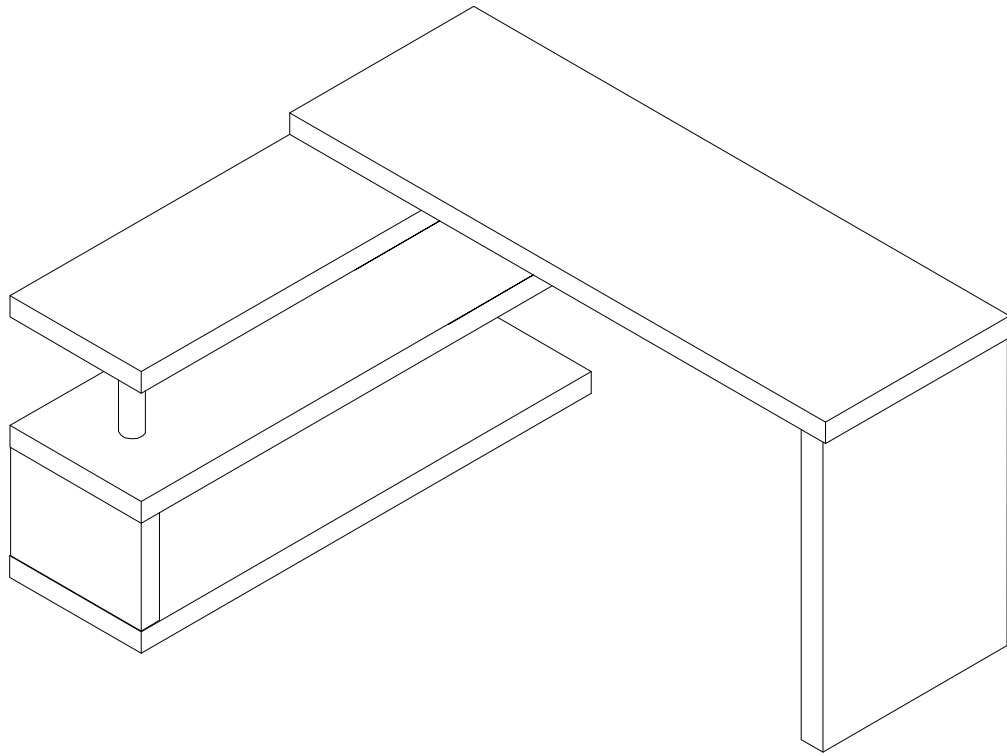


# ASSEMBLY INSTRUCTION FOR ACME FURNITURE

## MODEL# OF00017-1/OF00017-2/OF00018

Thank you for purchasing the quality product. Be sure to check all packing material carefully for small parts which may have come loose inside the carton during shipment. Separate, identify and count all parts and metal hardware. Compare with all parts list to be sure all parts are present. If any part(s) are missing or damaged, please contact your local furniture dealer. For efficient and speedy service, please indicate the model number and code letter of part(s) needed.

**\*\*\*Do not fully tighten screws until fully assembled\*\*\***

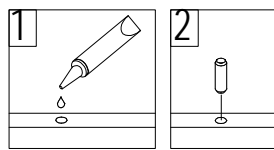


### Attention:

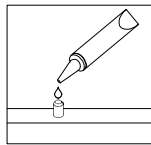
\*\*\*Some number parts listed on the instruction sheet may not be in parts bag as they may already be assembled. Carefully check parts and packing materials prior to ordering replacements.

# General Assembly Guidelines

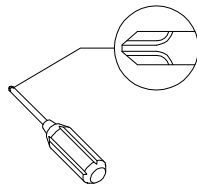
- I. Ensure that all parts and hardware are available before beginning assembly.
- II. Follow each step carefully to ensure the proper assembly of this product.
- III. Two people are recommended for ease in the assembly of this product.
- IV. The three main types of hardware used to assemble this product are : wood dowels , screws and bolts.
- V. The provided glue is to secure wood dowels in place . When first inserting dowels , locate the appropriate hole for the dowel , place a small amount of glue in the hole and insert the dowel . Wipe away excess glue immediately.



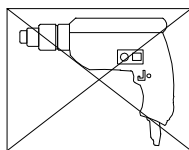
In future assembly steps when dowels are necessary to attach assembly parts together , place a small amount of glue on the end of the dowel before attaching parts together . Wipe away excess glue immediately.



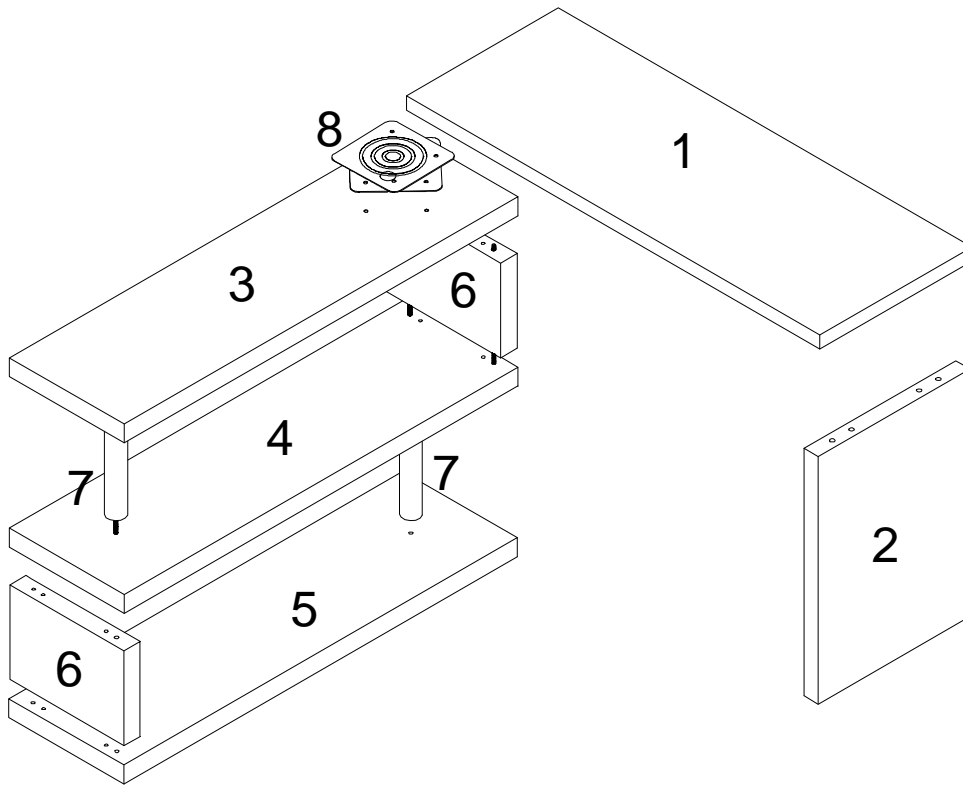
- VI. A Phillips head screwdriver is required for the assembly of this product .










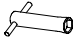

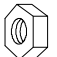



- VII. Power tools should not be used to assemble this product .



# Parts List




# Hardware List

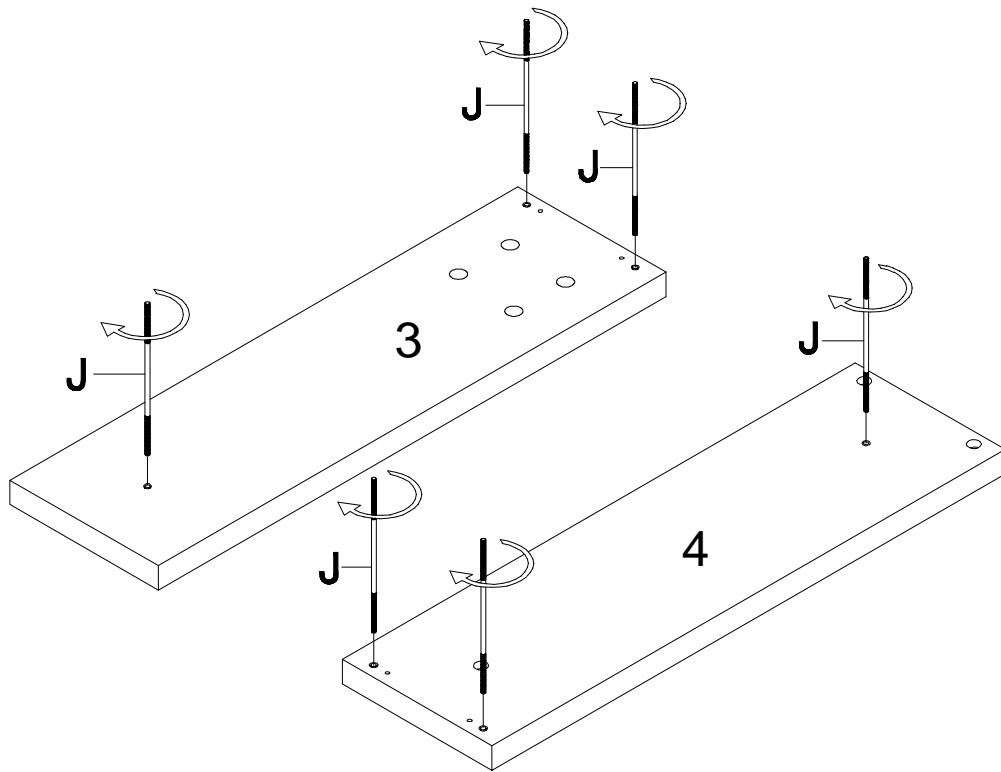
A		M8x45mm Bolt	4 pcs	H		M38x3mm Mat callosity	5 pcs
B		M8x20mm Bolt	12 pcs	I		M8mm Washer	12 pcs
C		M8x708mm Screw rod	2 pcs	J		M8x315mm Screw rod	6 pcs
D		Fixed angle code	2 pcs	K		Sleeve	1 pcs
E		Ø8x30mm Wooden dowel	10 pcs	L		M8 Nut	12 pcs
F		M5mm Hex Key	1 pcs	M		Wrench	1 pcs
G		M8x17mm Washer	20 pcs				

# Step 1

**J** x 6

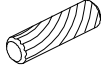


M8x315mm

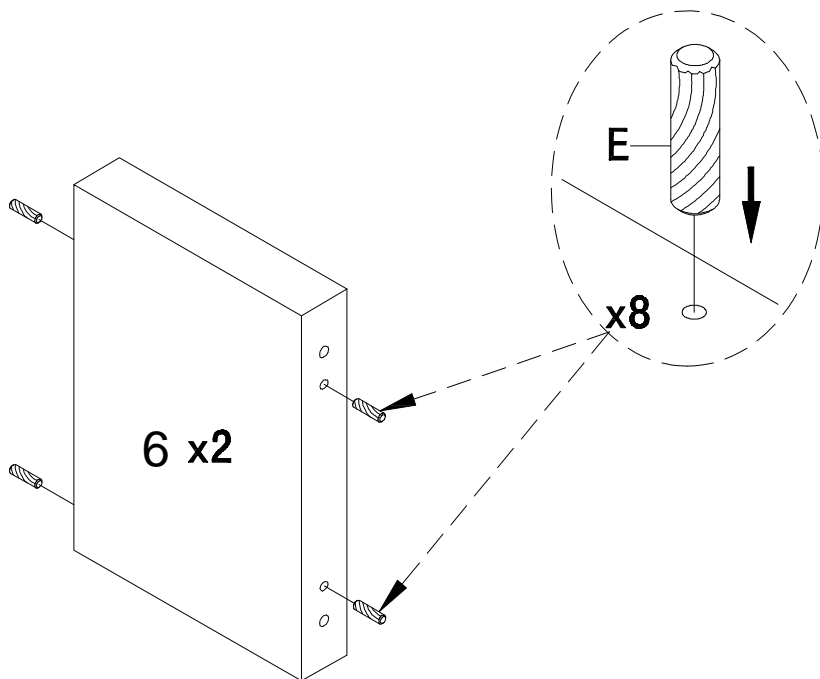


# Step 2

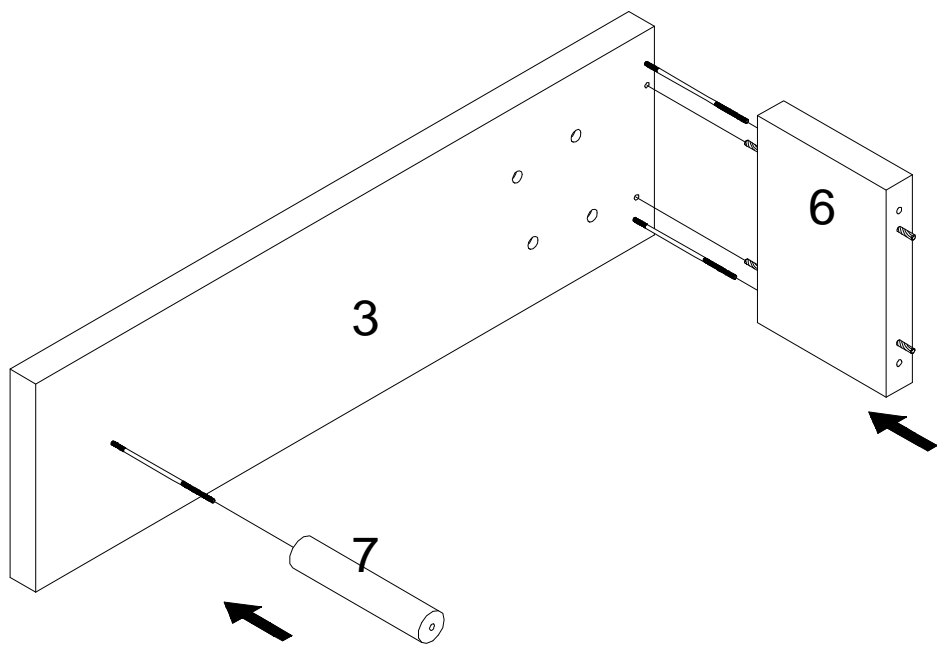
**E** x 8




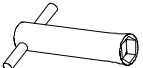

Ø 8x30mm

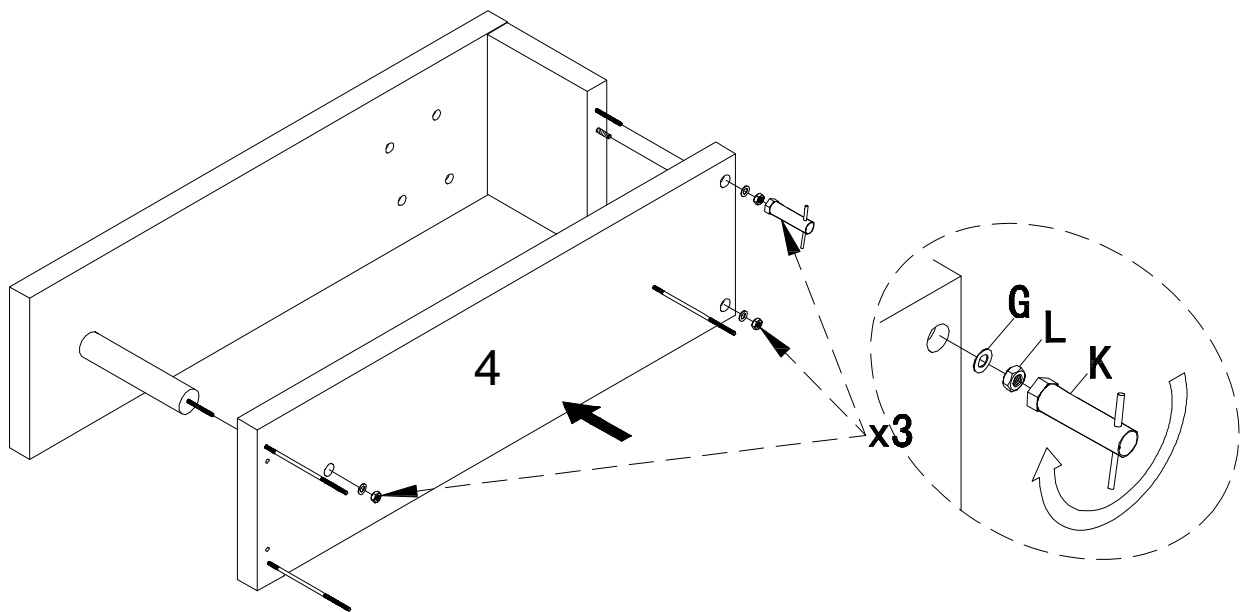


# Step 3

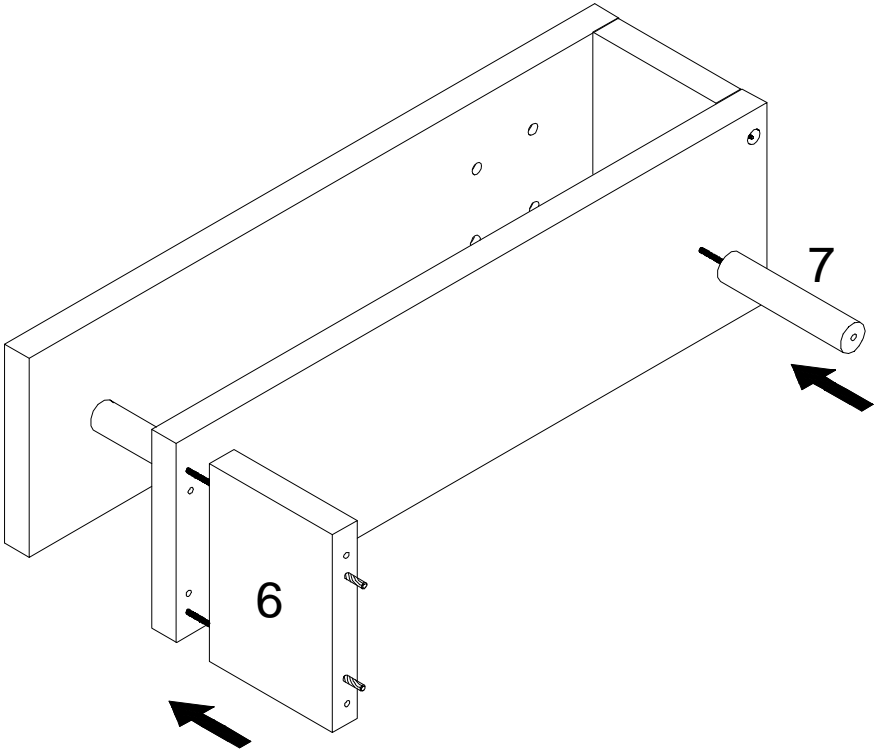


# Step 4

- |  |   |   |
|--|---|---|
| <b>G</b> x3  | <b>K</b> x1   | <b>L</b> x3   |
|  |  |  |
| M6x17mm  | M8  | M8  |

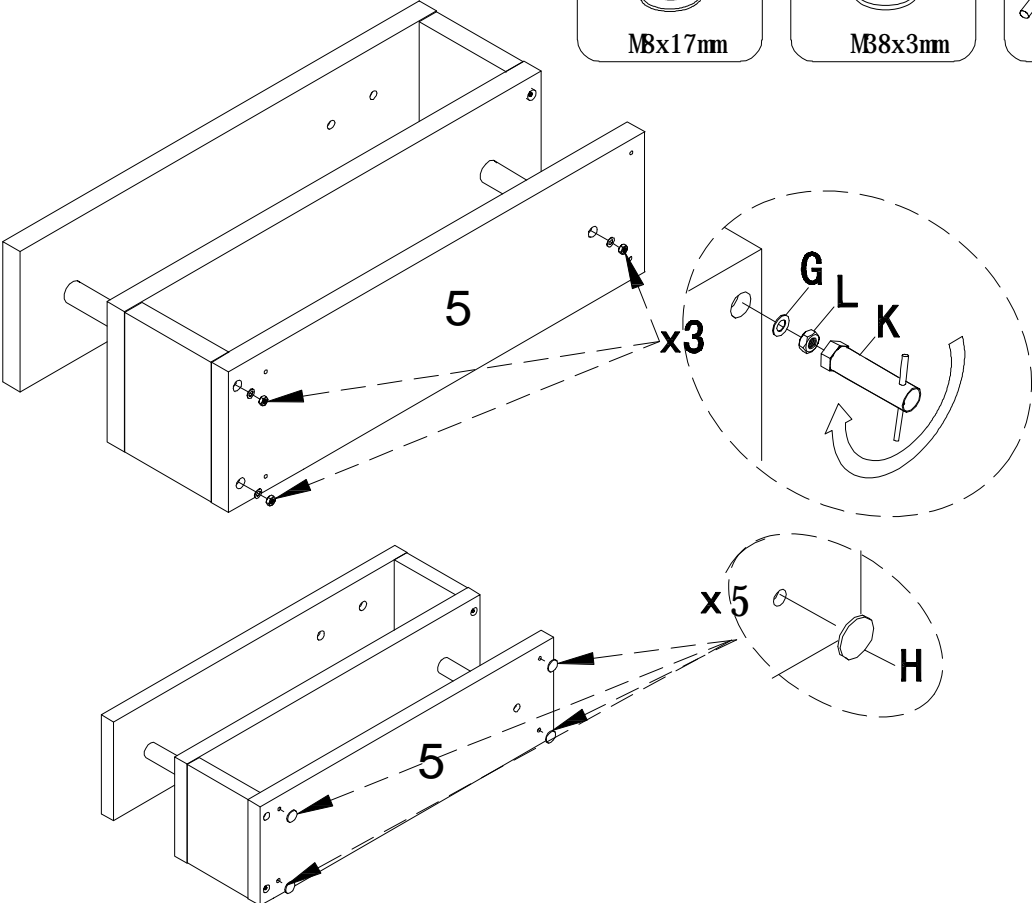


# Step 5

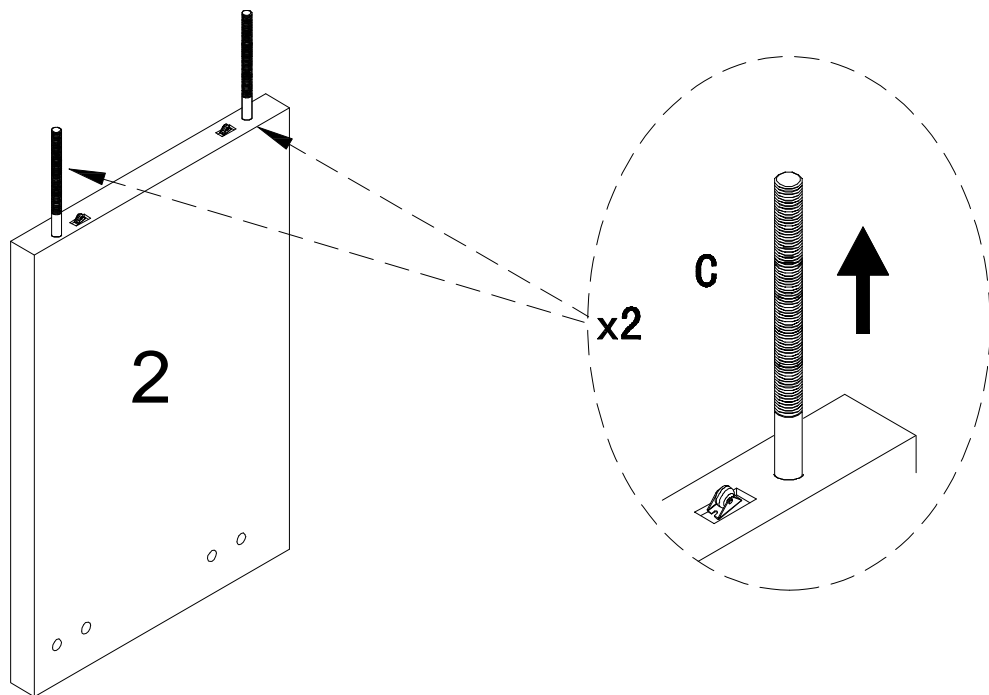


# Step 6

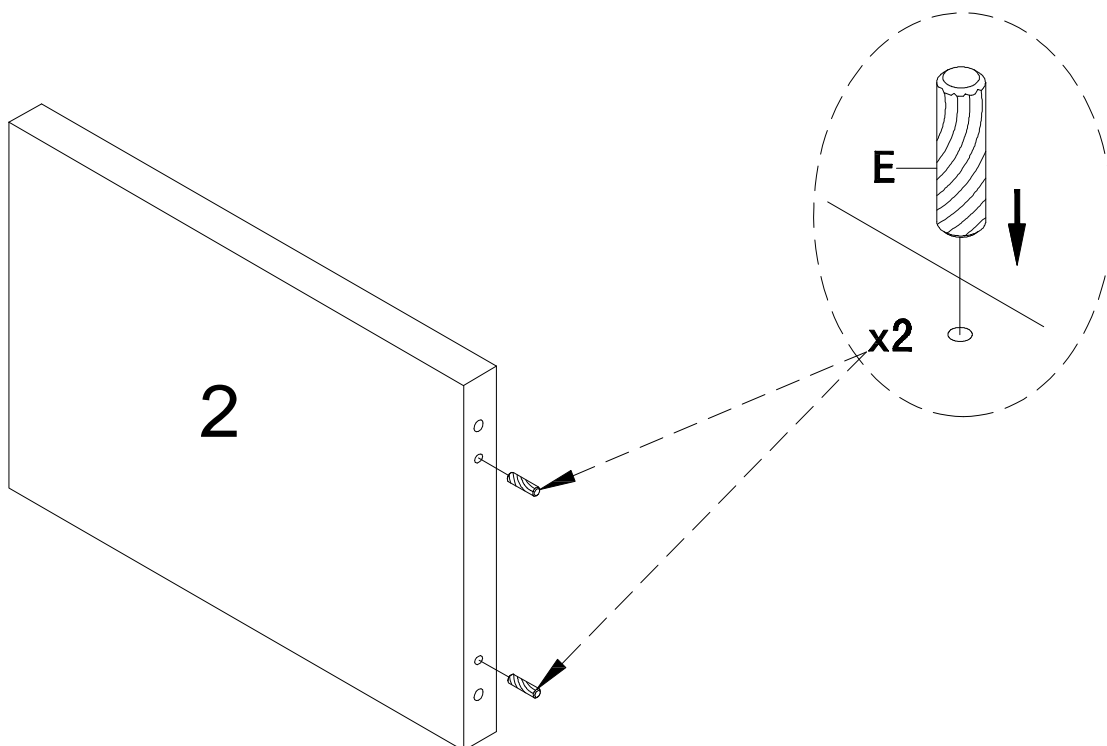
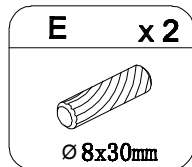
- G x3**  
MBx17mm
- H x5**  
MB8x3mm
- K x1**  
M8
- L x3**  
M8



# Step 7

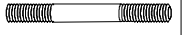


# Step 8

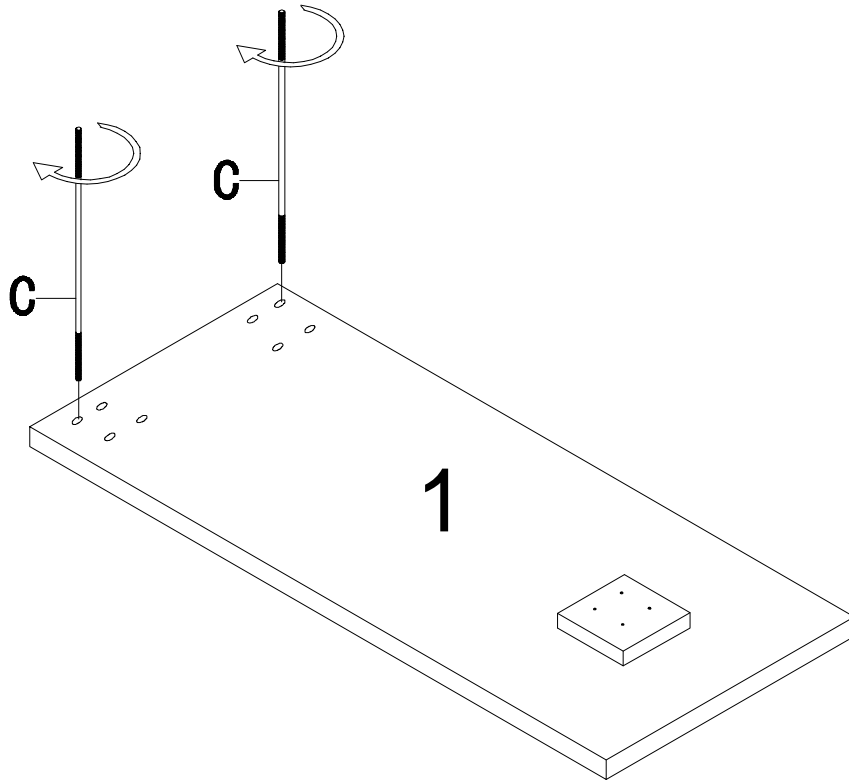


# Step 9

**C** x2




M8x708mm




# Step 10

**G** x2



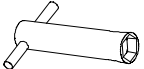
M8x17mm

**L** x2

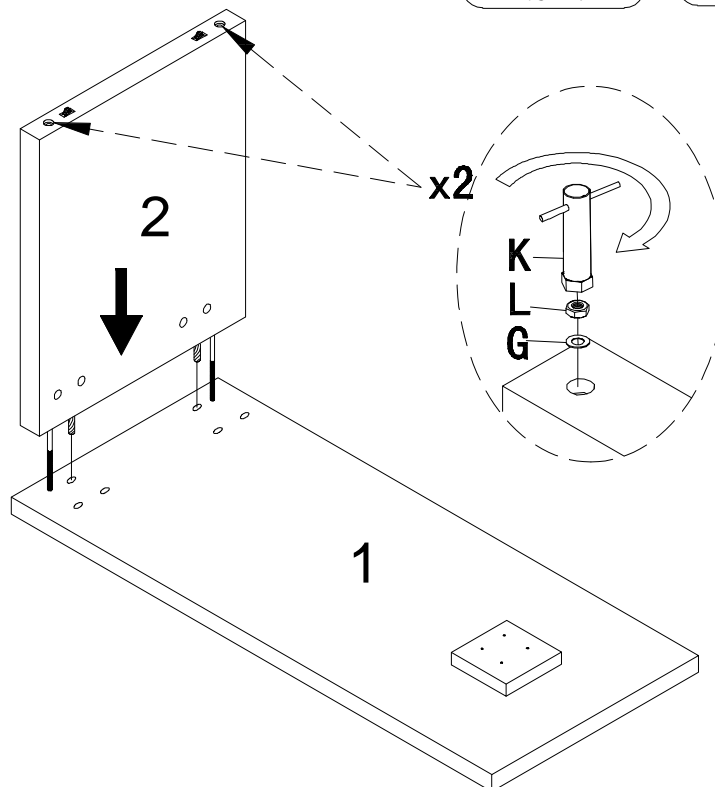


M8

**K** x1

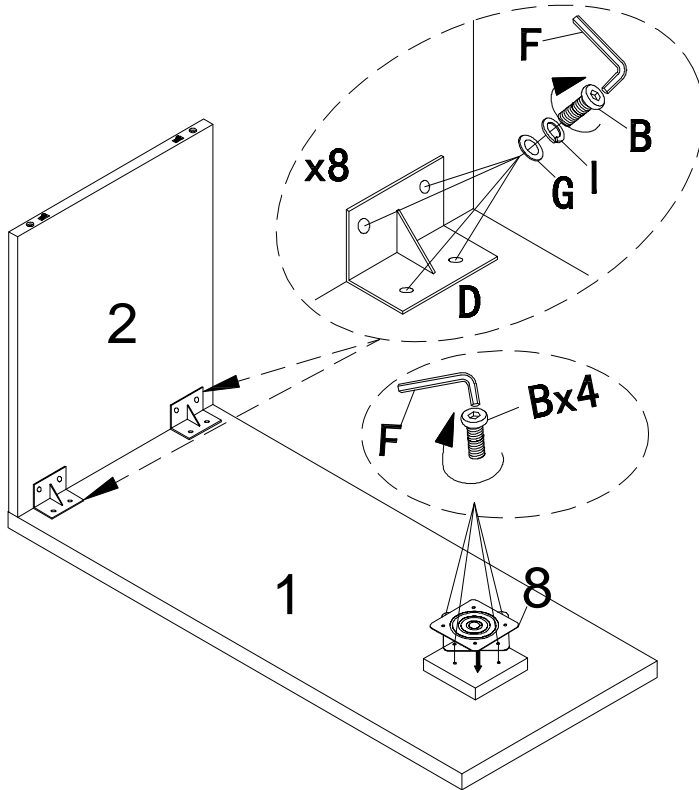
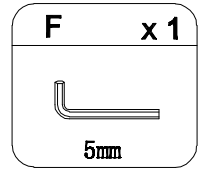
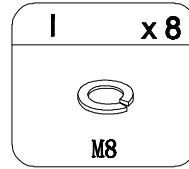
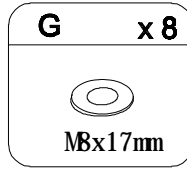
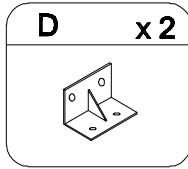
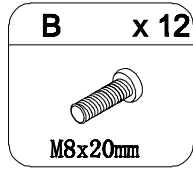


M8

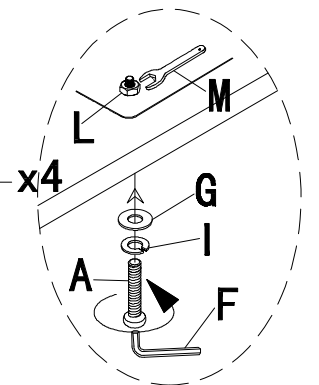
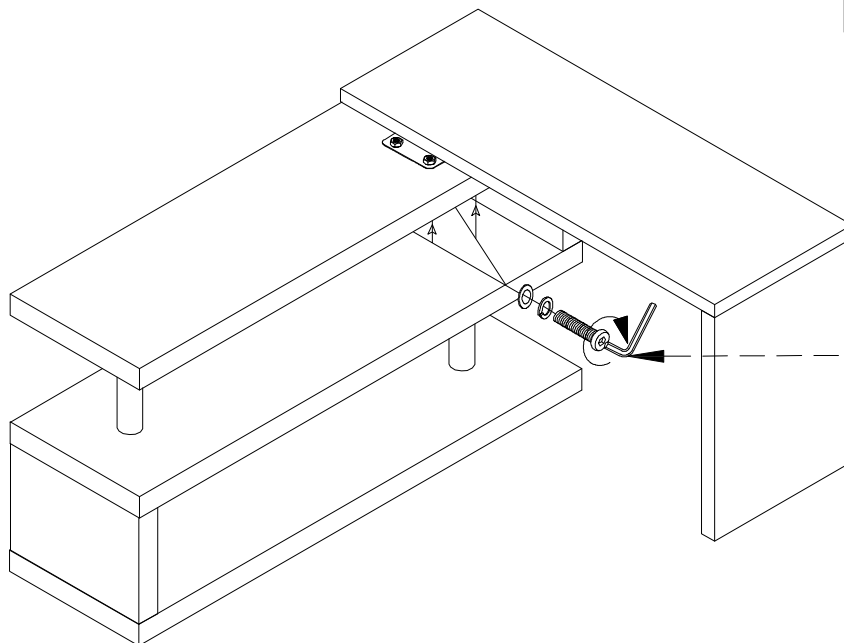
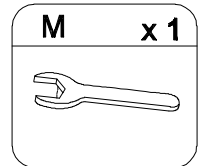
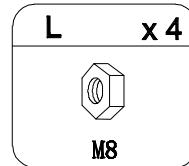
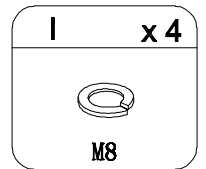
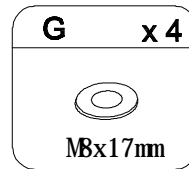
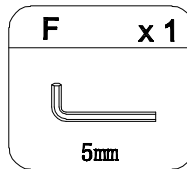
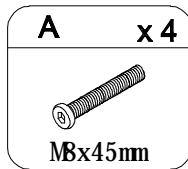




# Step 11



# Step 12



# Step 13

