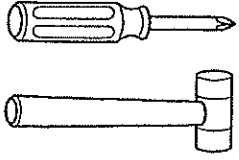
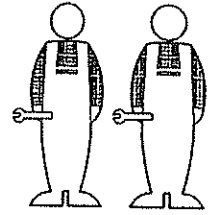
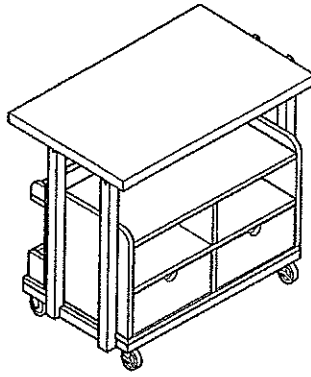


ASSEMBLY
INSTRUCTIONS

ITEM : 98396 Kitchen Cart

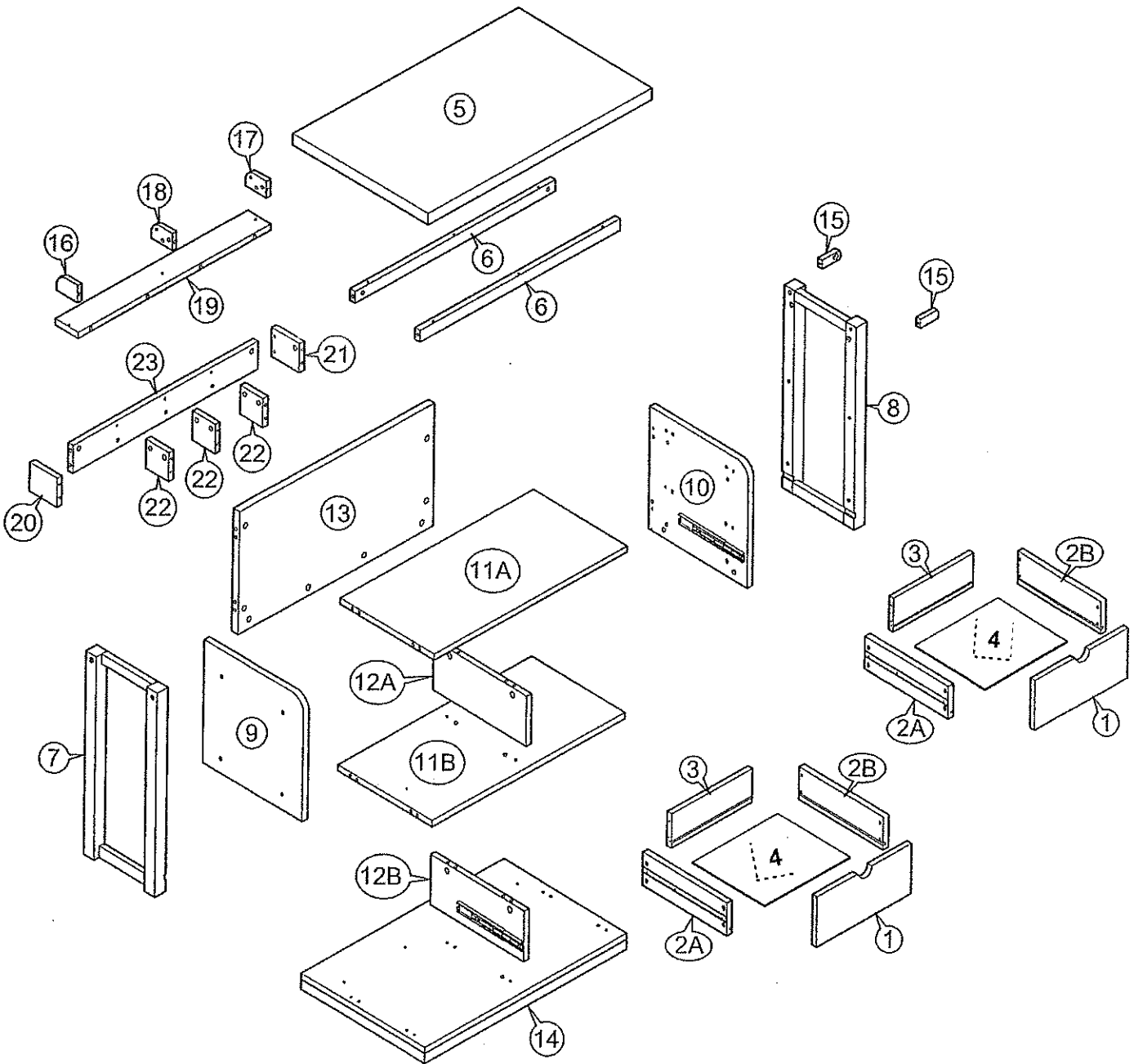


Not Provided

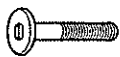
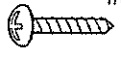

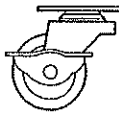

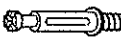
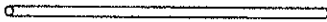
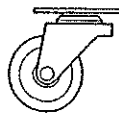


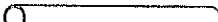






2 Persons

Part List



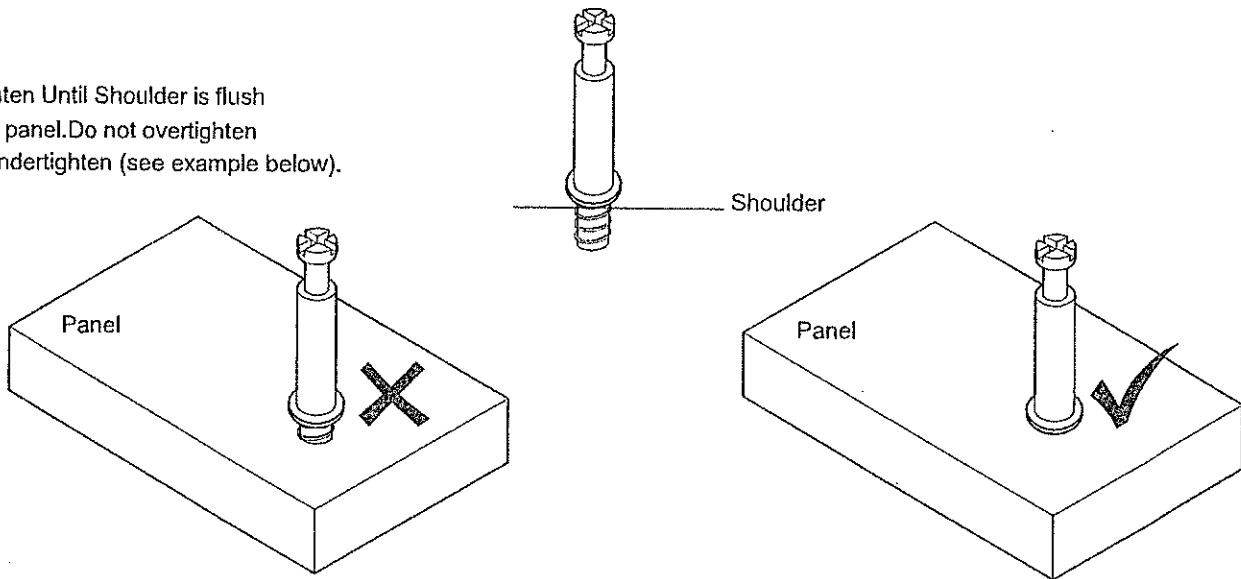
Hardware List

A  M6 x35mm = 8	F  #8x 1 1/4" =26	K  14.5Ø = 4	N  50mm = 2
B  M6 x70mm = 6	G  24mm =44	L  850 x 9Ømm = 1	 50mm = 2
C  M6 x13mm = 4	H  9mm =44	M  256 x 25Ømm = 1	
D  M6 x13mm = 8	I  M4 x16mm =16		
E  = 1	J  M8 x30mm =34		

SPECIAL TIPS FOR FITTING CAM-LOCKS AND QUICKFIT

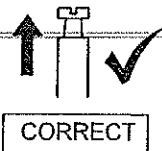
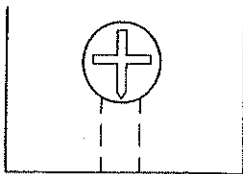
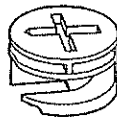
QUICKFIT

Tighten Until Shoulder is flush with panel. Do not overtighten or undertighten (see example below).

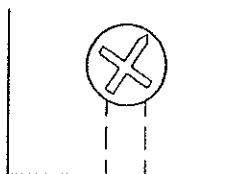


CAM-LOCK

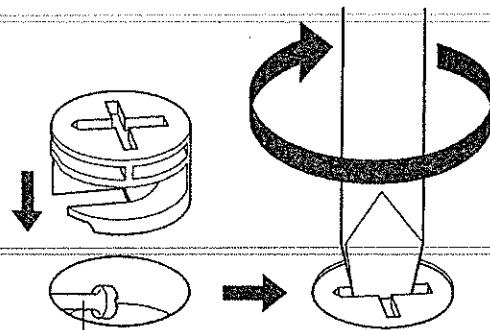
WHEN FITTING CAM-LOCK
ENSURE STARTING POSITION IS CORRECT
BEFORE YOU INSERT CONNECTING QUICKFIT
TURN CLOCKWISE UNTIL SECURE



CORRECT

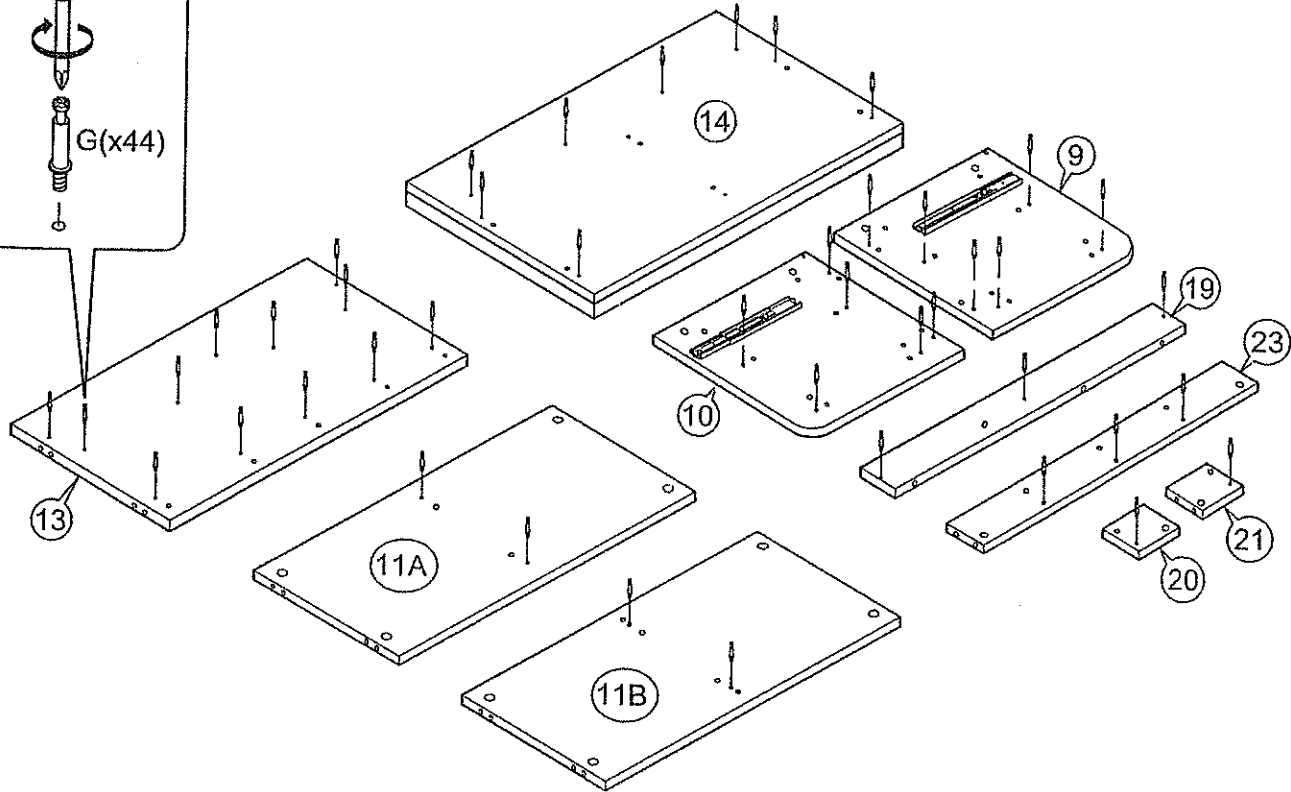
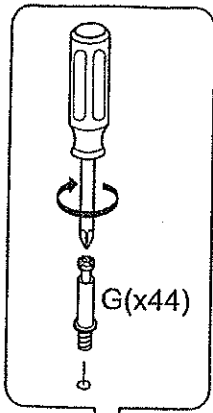


WRONG

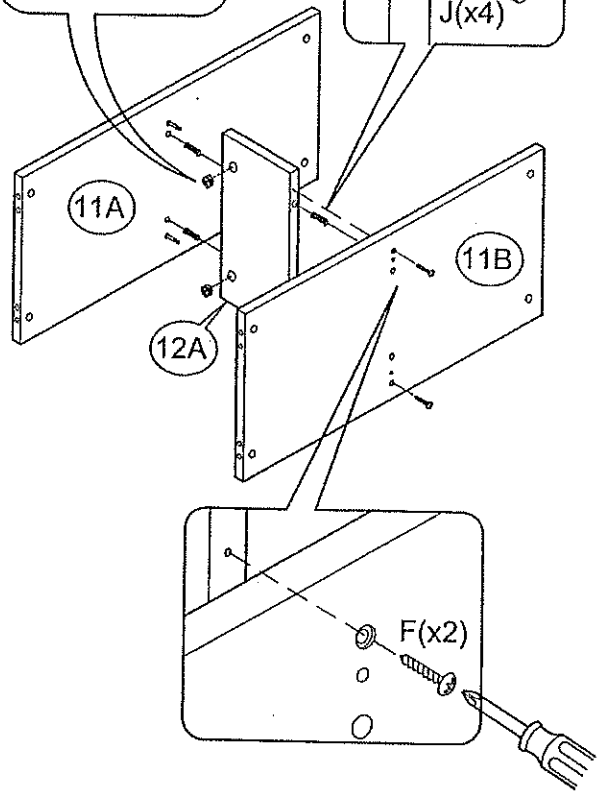
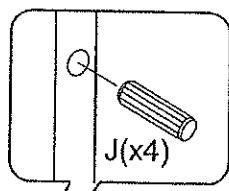
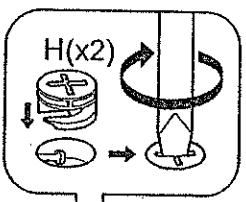


Quickfit head needs to be in centre

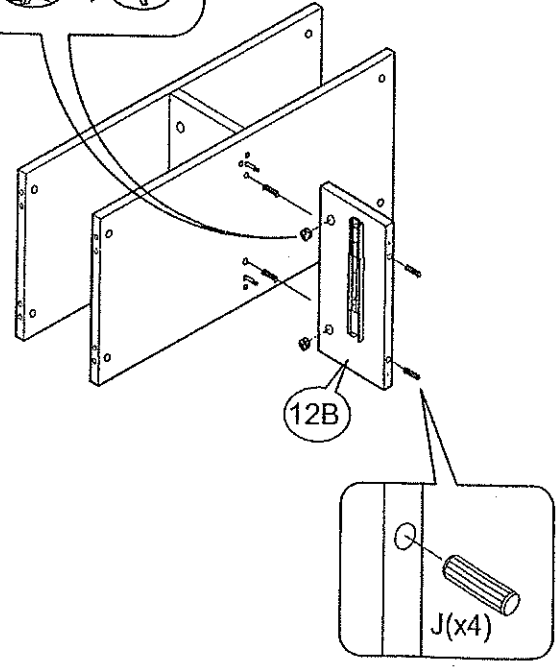
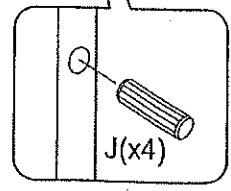
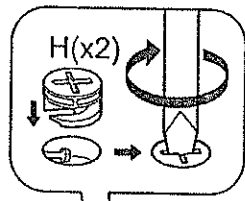
1



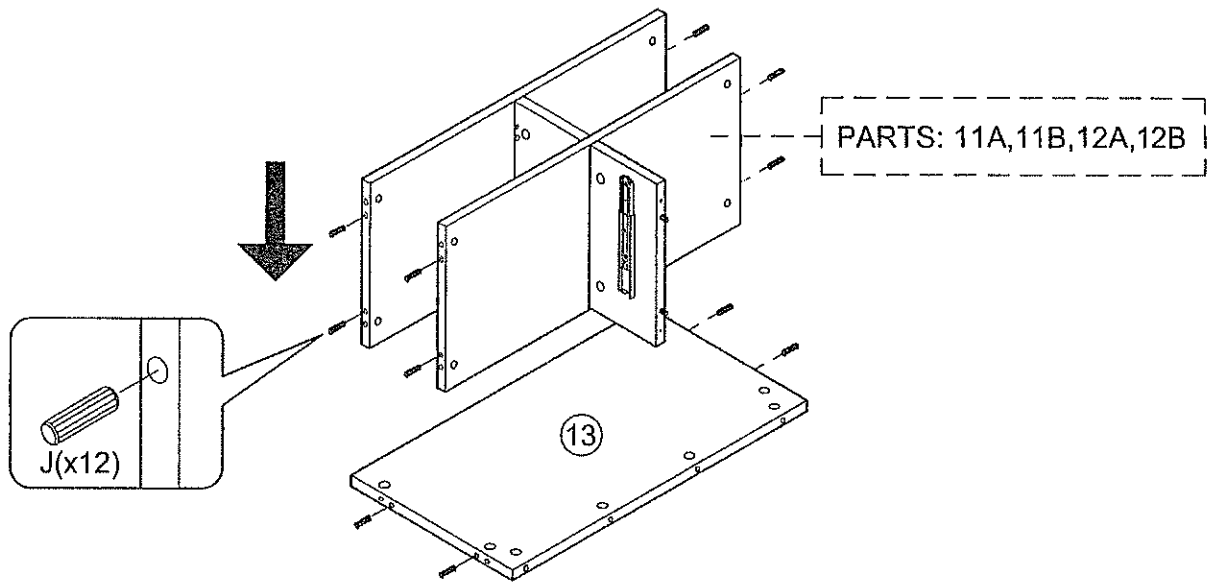
2



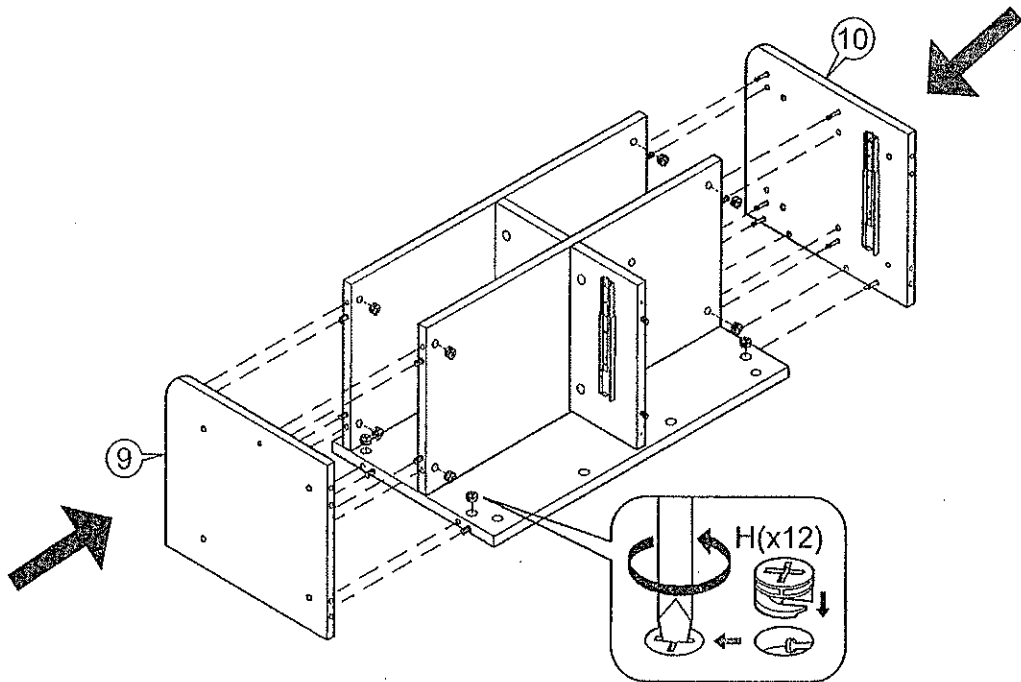
3



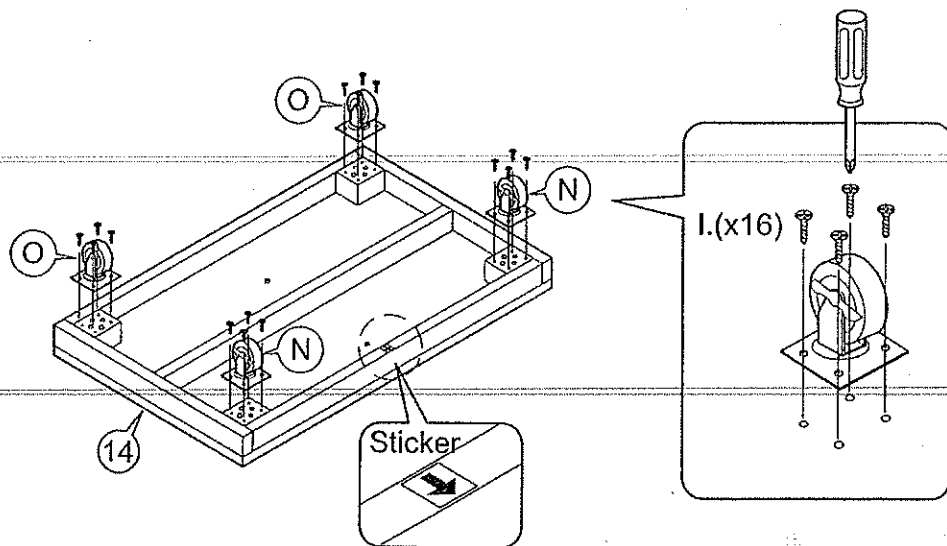
4

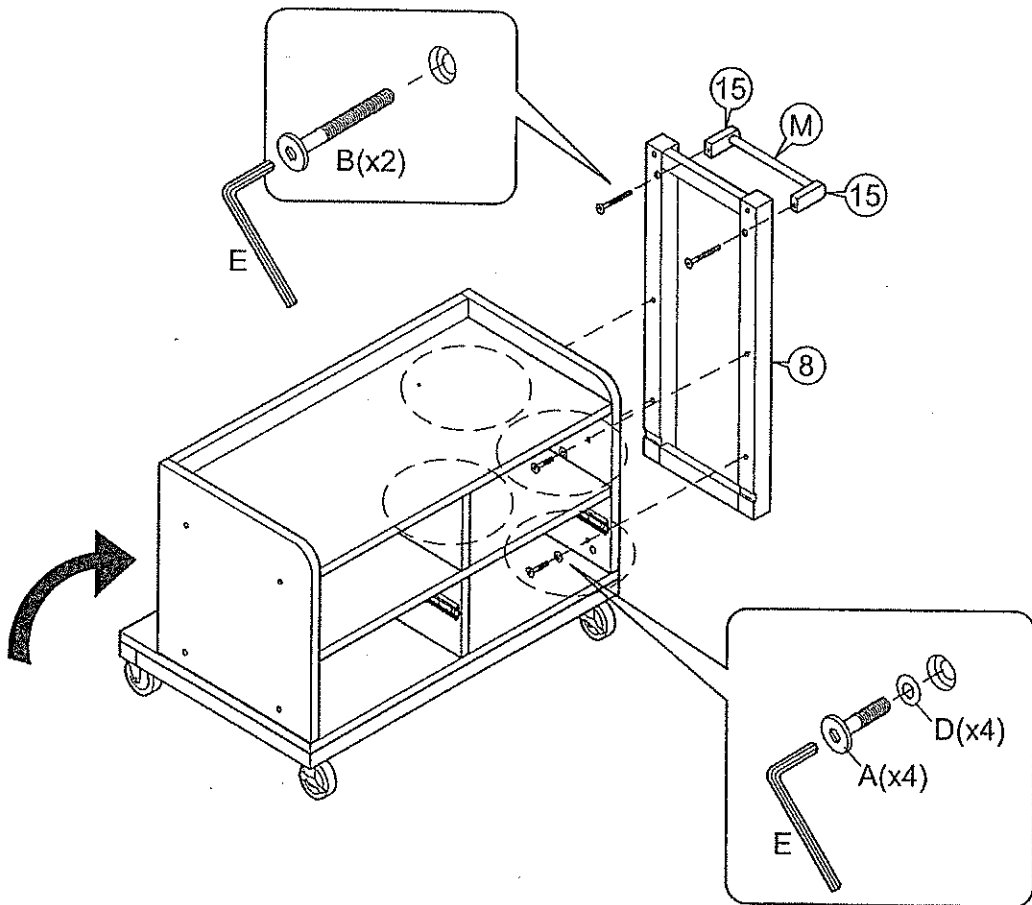
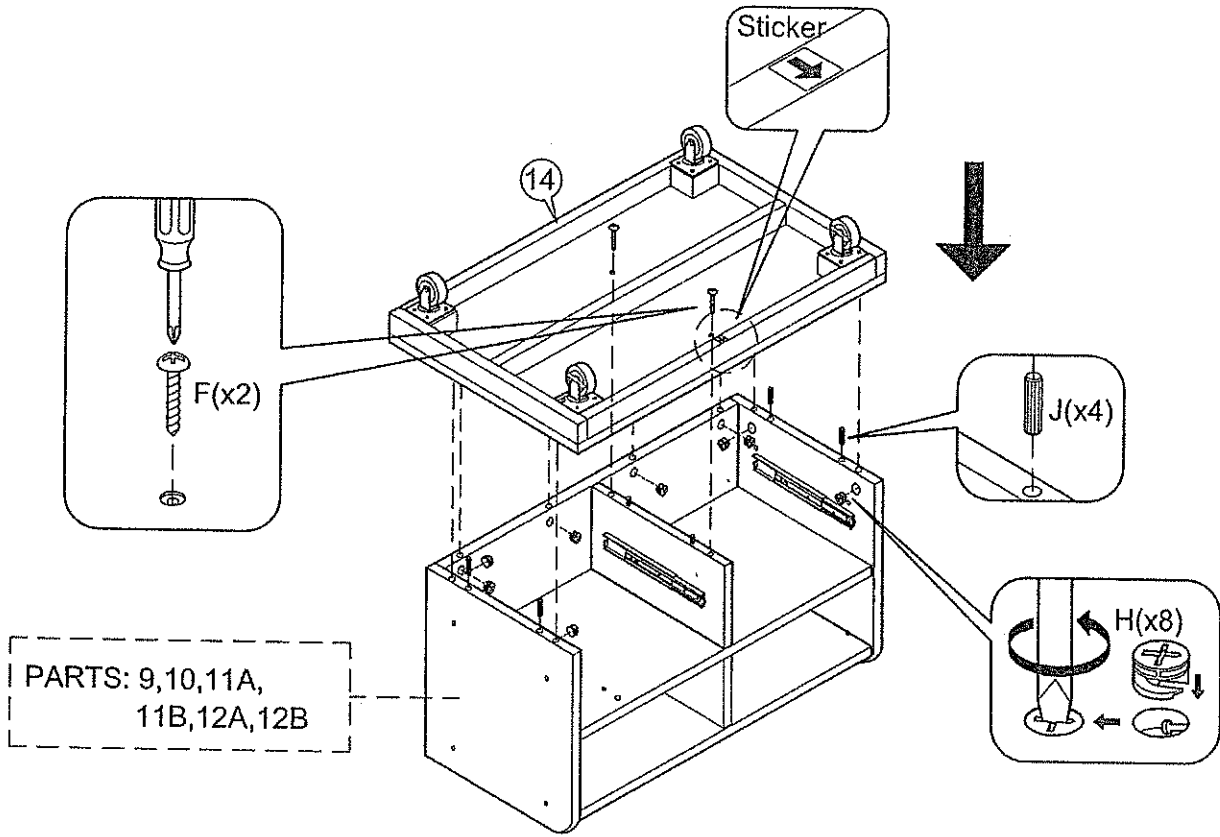


5

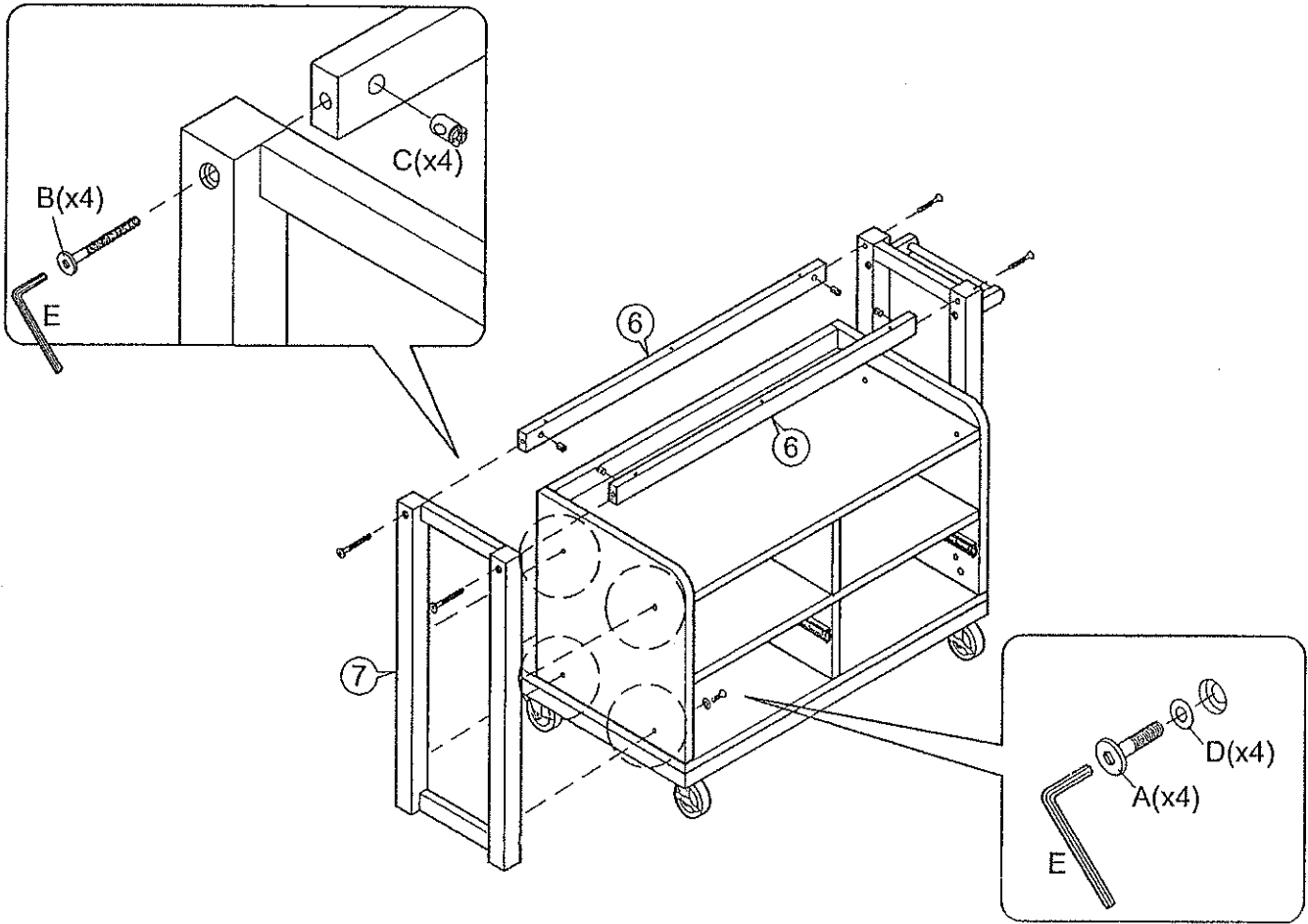


6

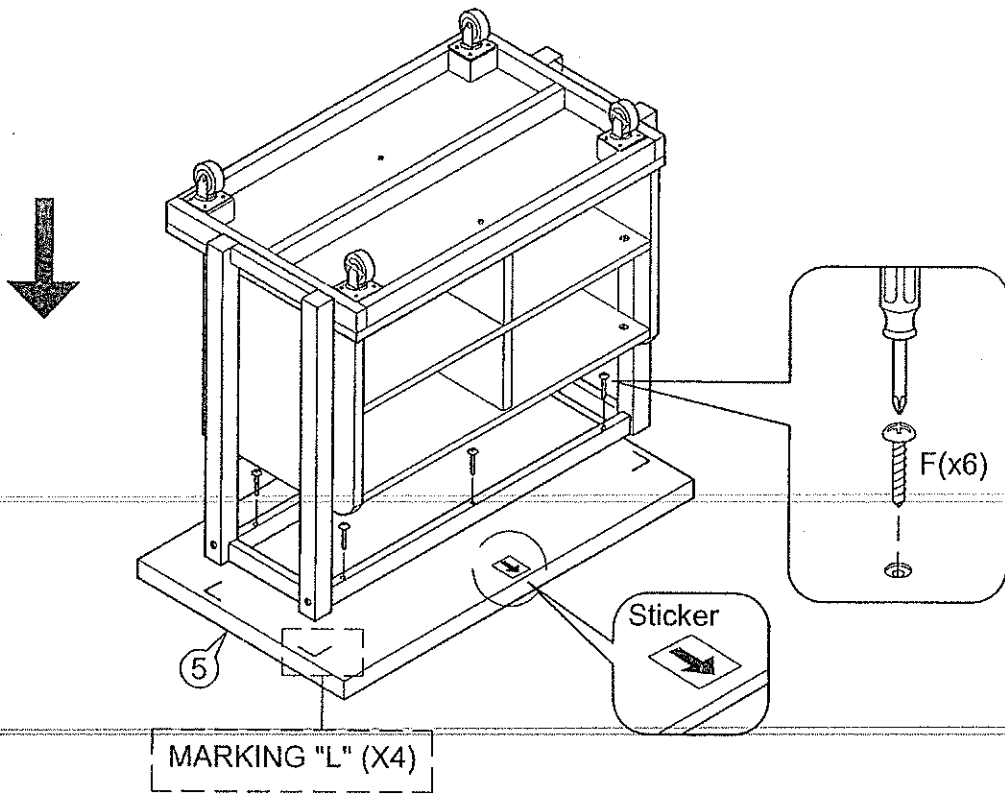




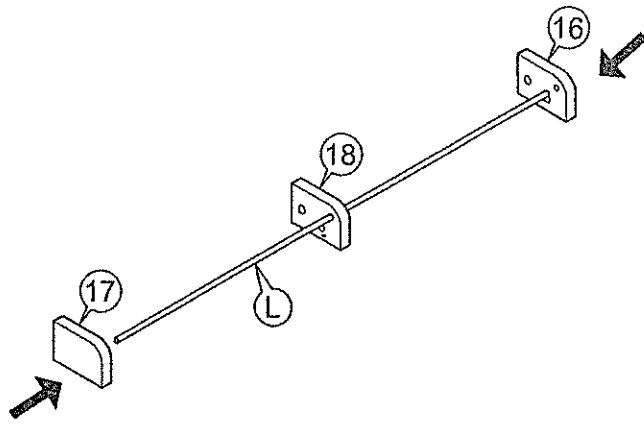
9



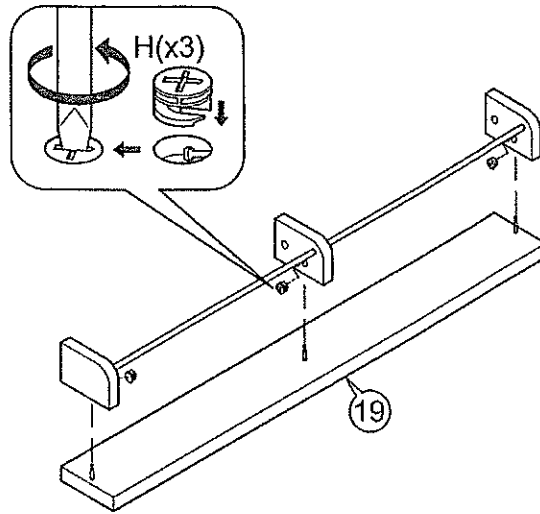
10



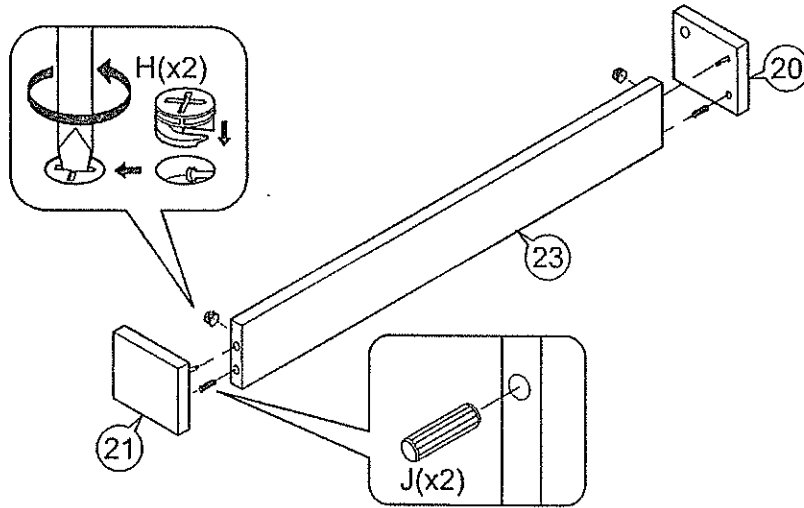
11



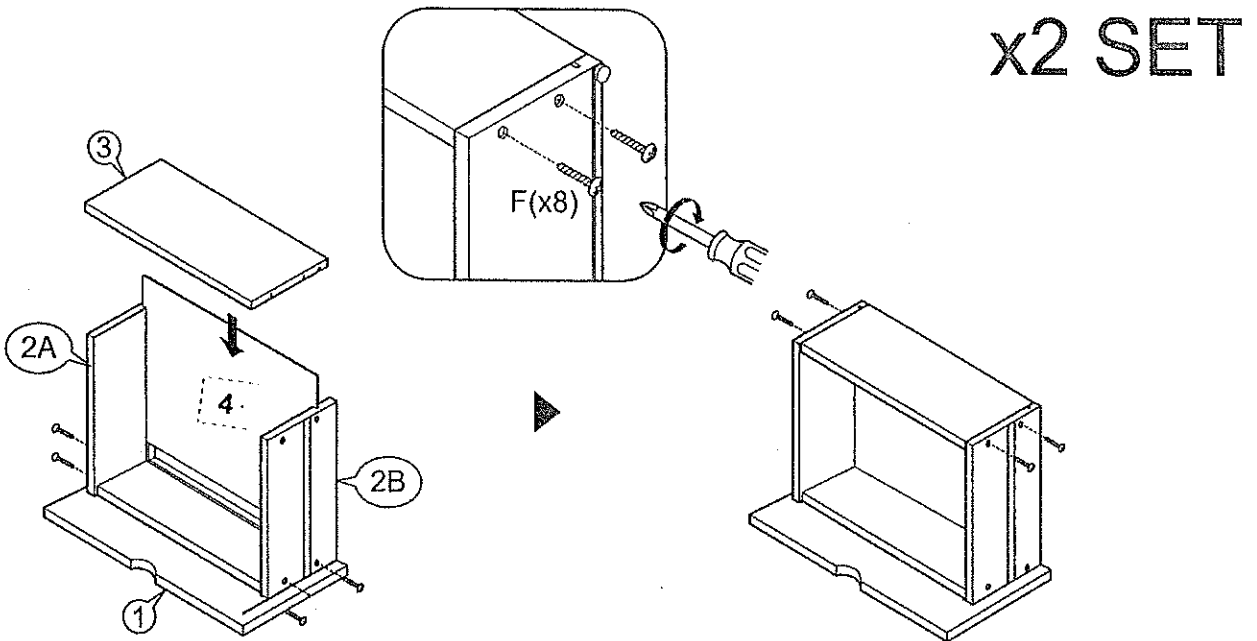
12

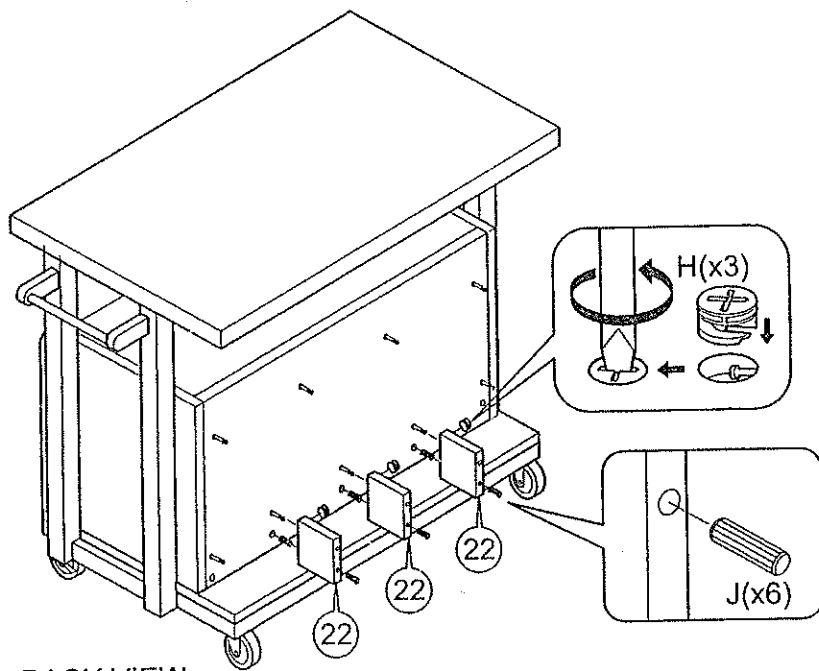


13

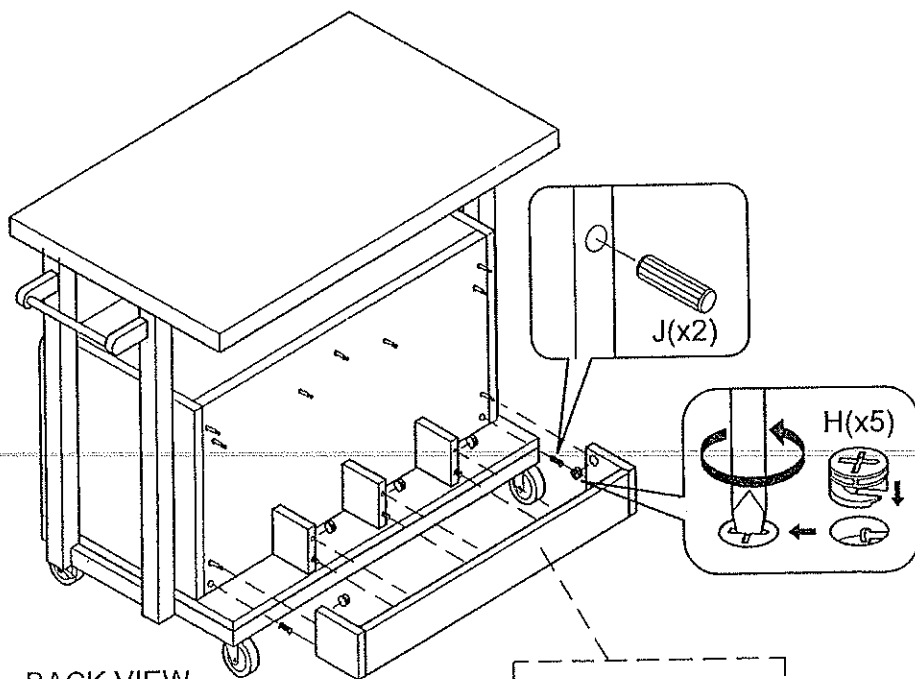


14



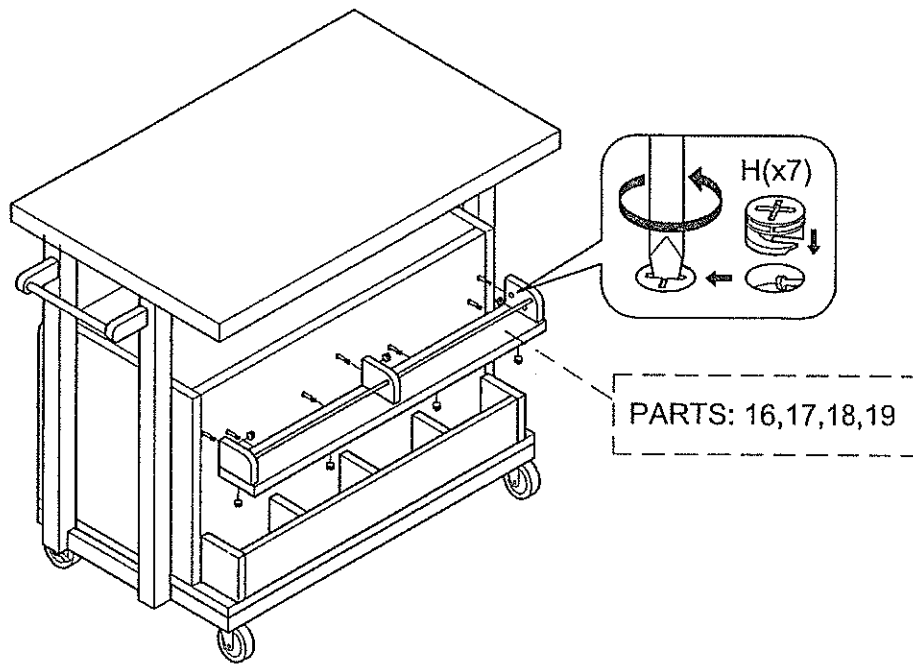


BACK VIEW



BACK VIEW

PARTS: 20,21,23



BACK VIEW

