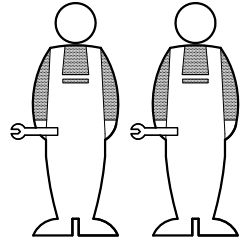
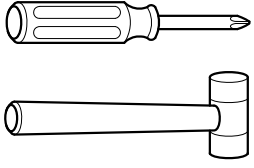


# ASSEMBLY INSTRUCTIONS

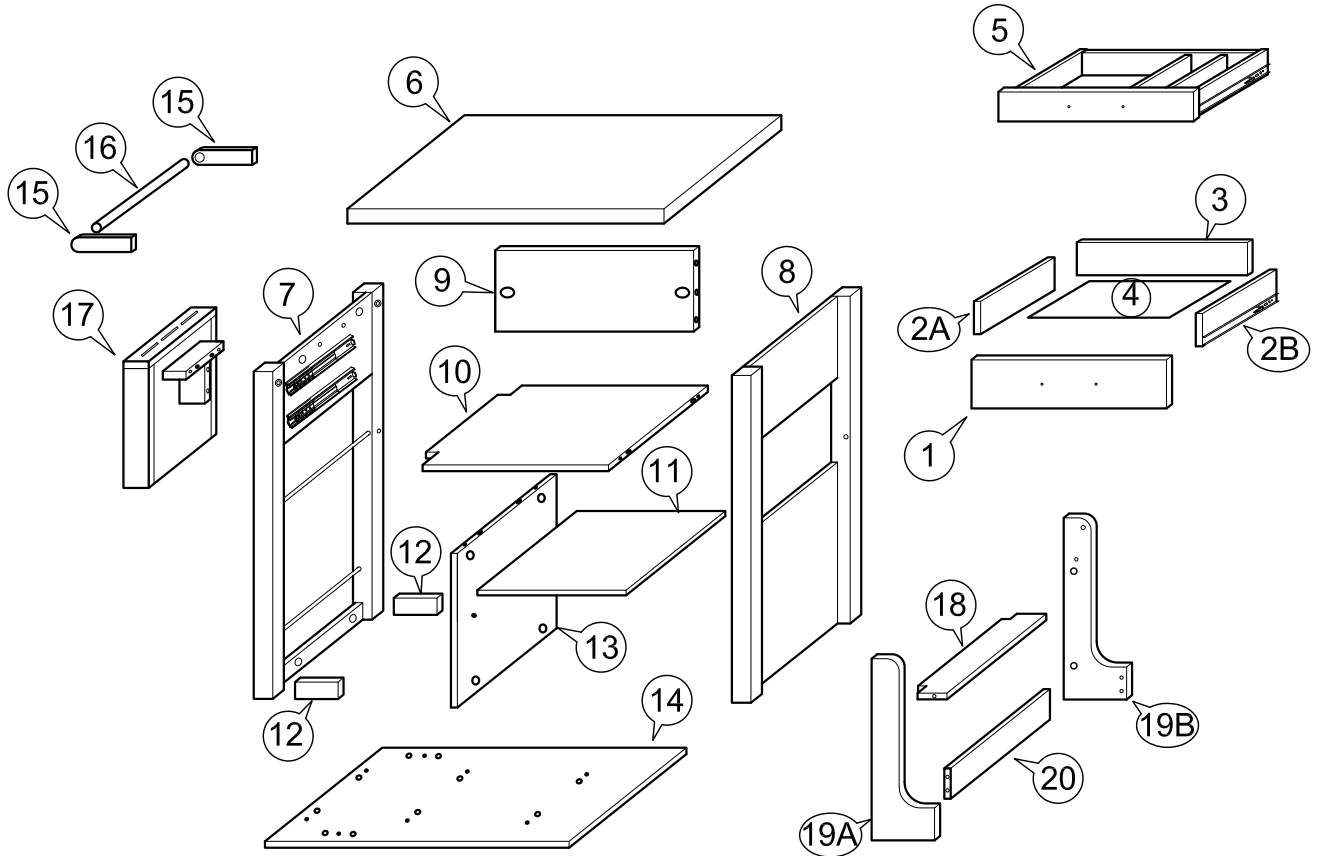
## ITEM : 98390 Kitchen Cart



Not Provided

2 Persons

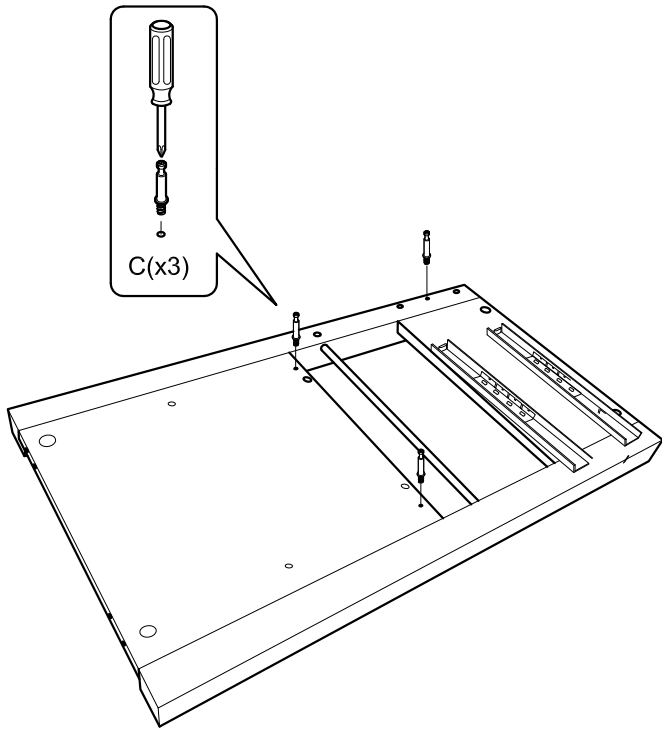
### Part List



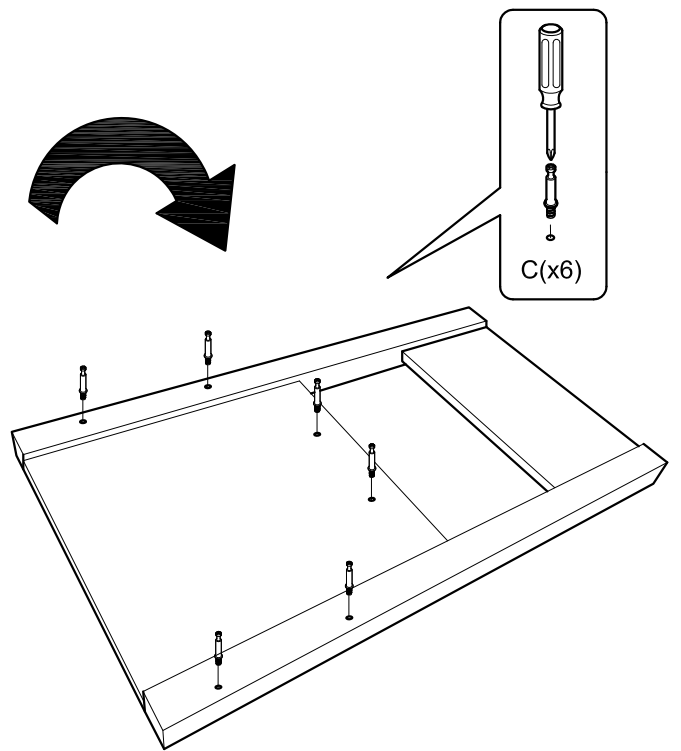
### Hardware List

|   |                            |   |                   |   |                 |   |          |
|---|----------------------------|---|-------------------|---|-----------------|---|----------|
| A | M6 x40mm = 2               | G | M8 x30mm = 24     | L | = 4             | Q | 50mm = 2 |
| B | M6 x 50mm = 2              | H | = 2               | M | 421 x 9 Ømm = 1 |   |          |
| C | 24mm = 28                  | I | 18mm = 4          | N | 490 x 9 Ømm = 1 |   |          |
| D | 9mm = 28                   | J | 12mm = 2          | O | M4 = 1          |   |          |
| E | M4 x 16mm = 16<br>(Caster) | K | 320 x 50 x 16 = 1 | P | 50mm = 2        |   |          |
| F | #8x 1 1/4" = 14<br>(BLK)   |   |                   |   |                 |   |          |

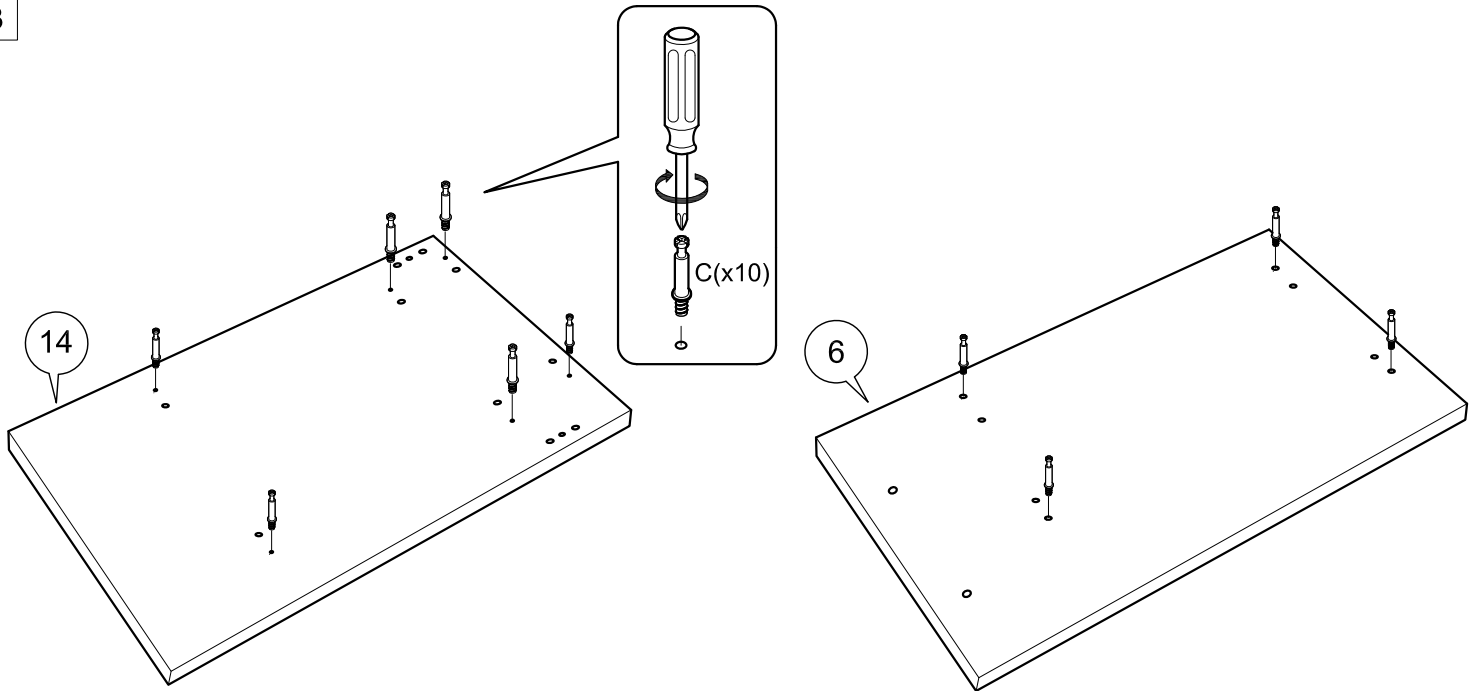
1



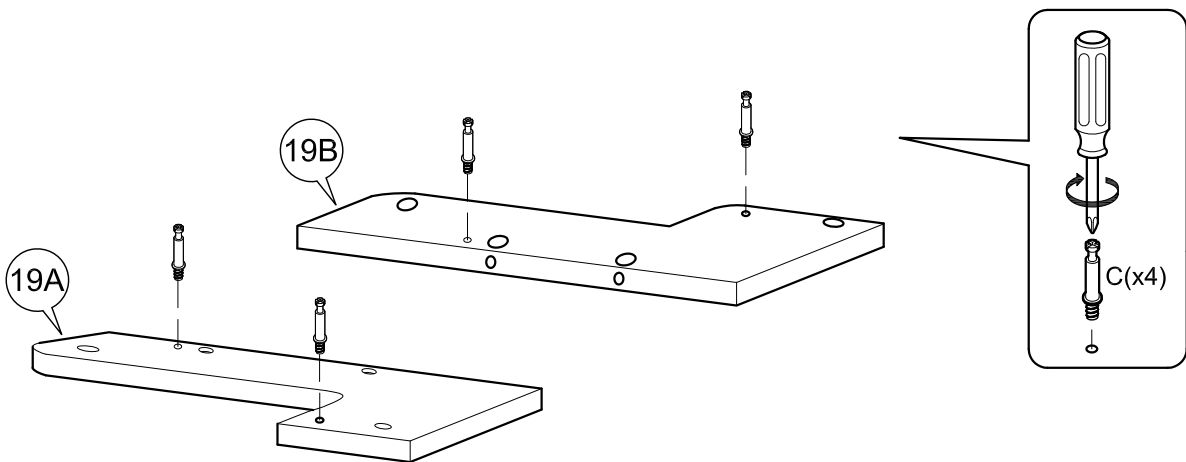
2



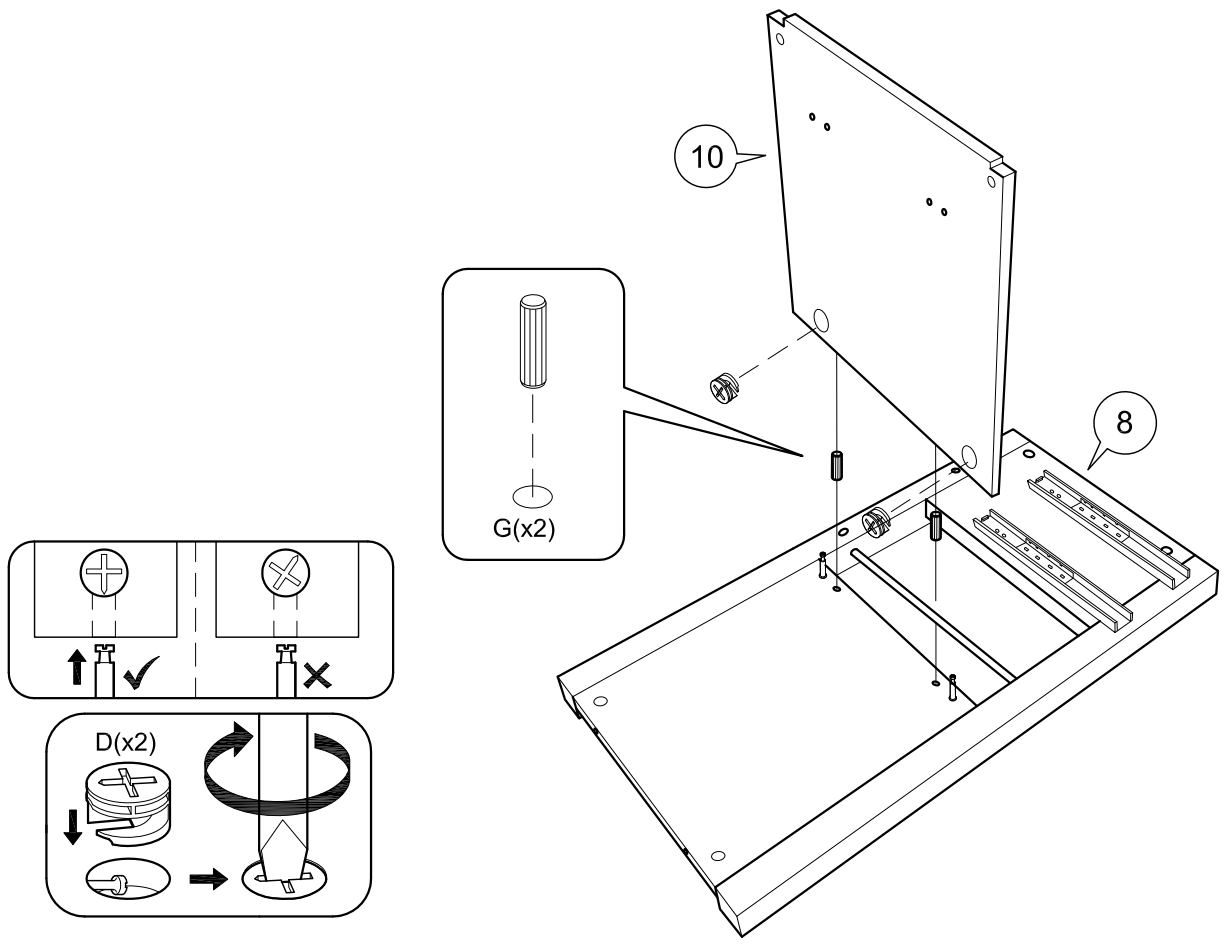
3



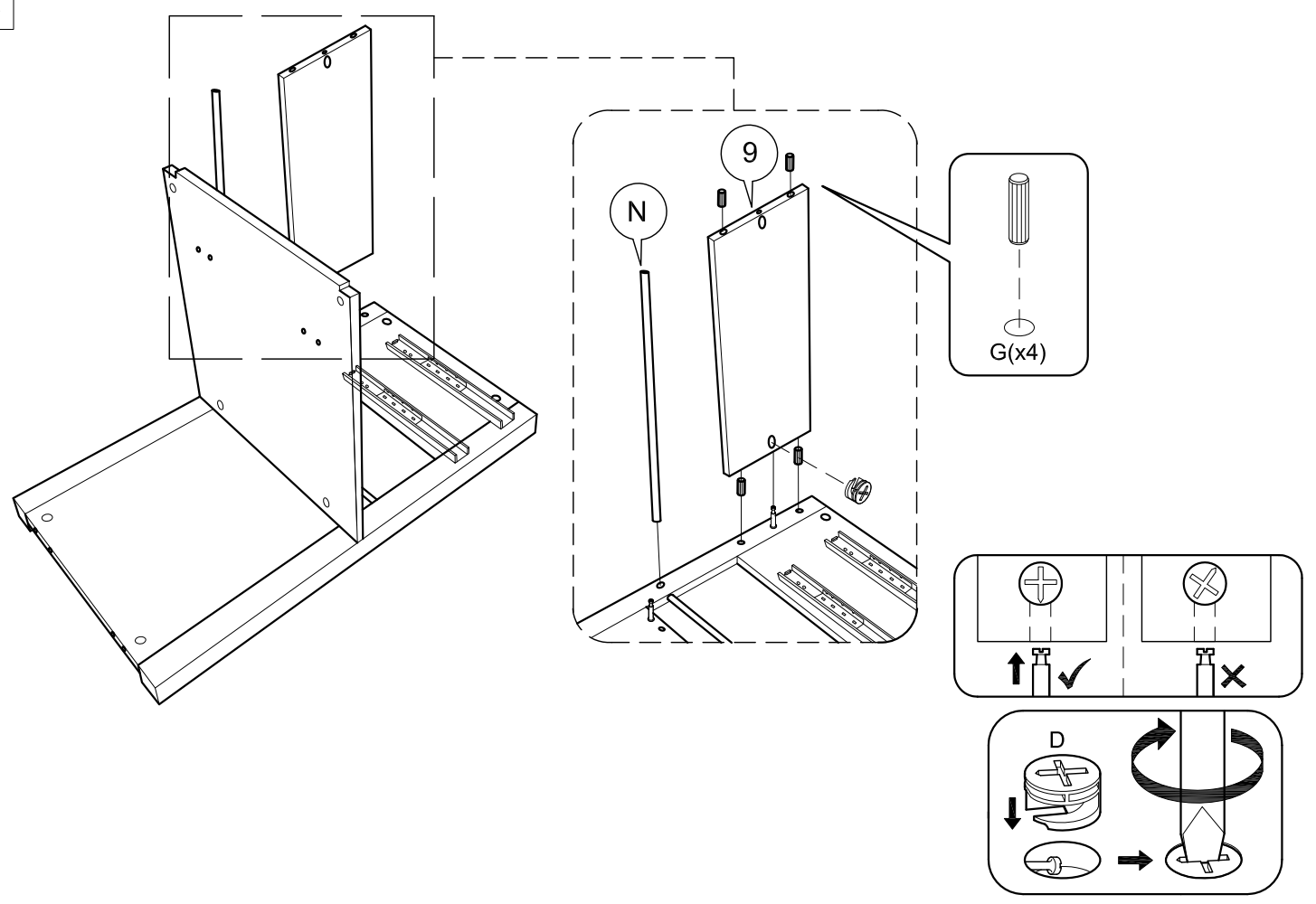
4



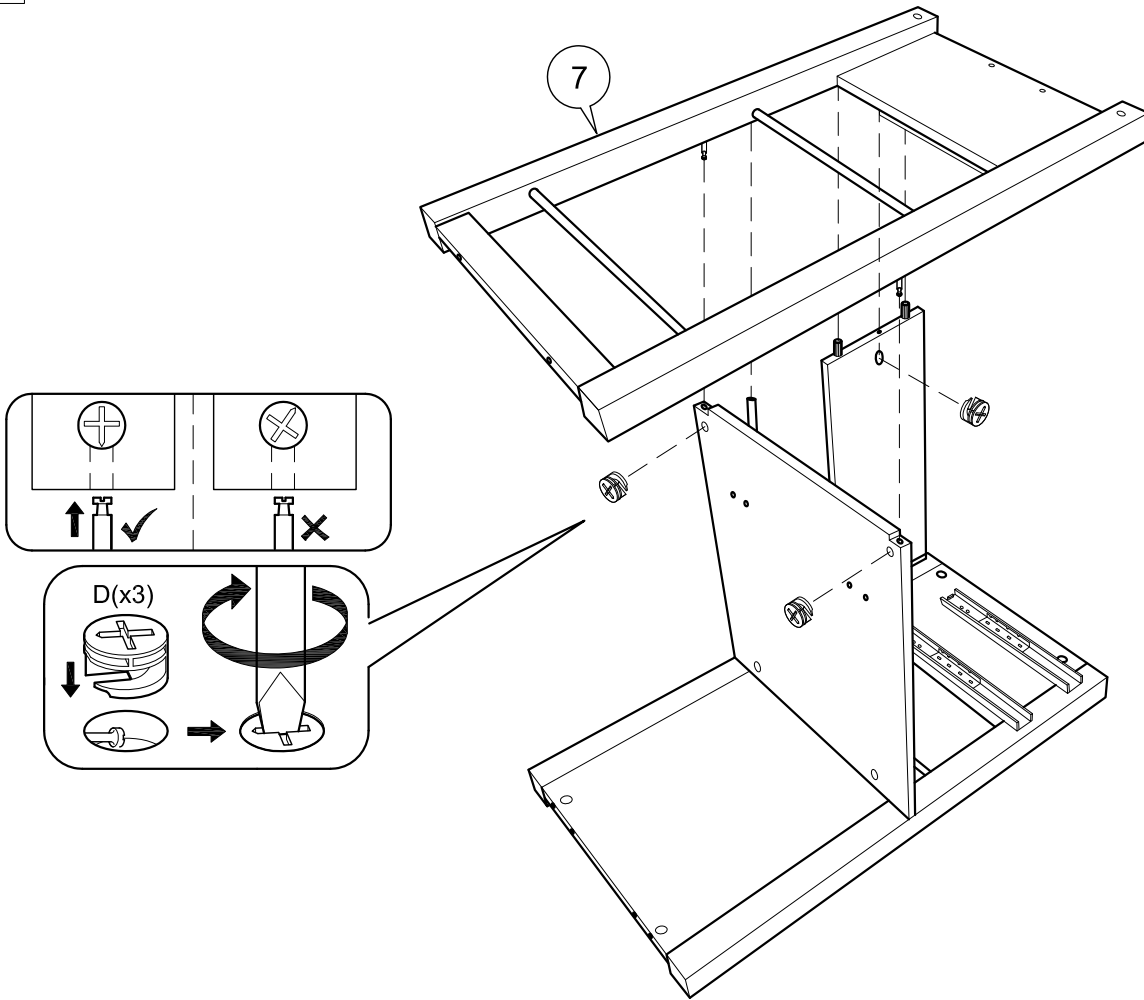
5



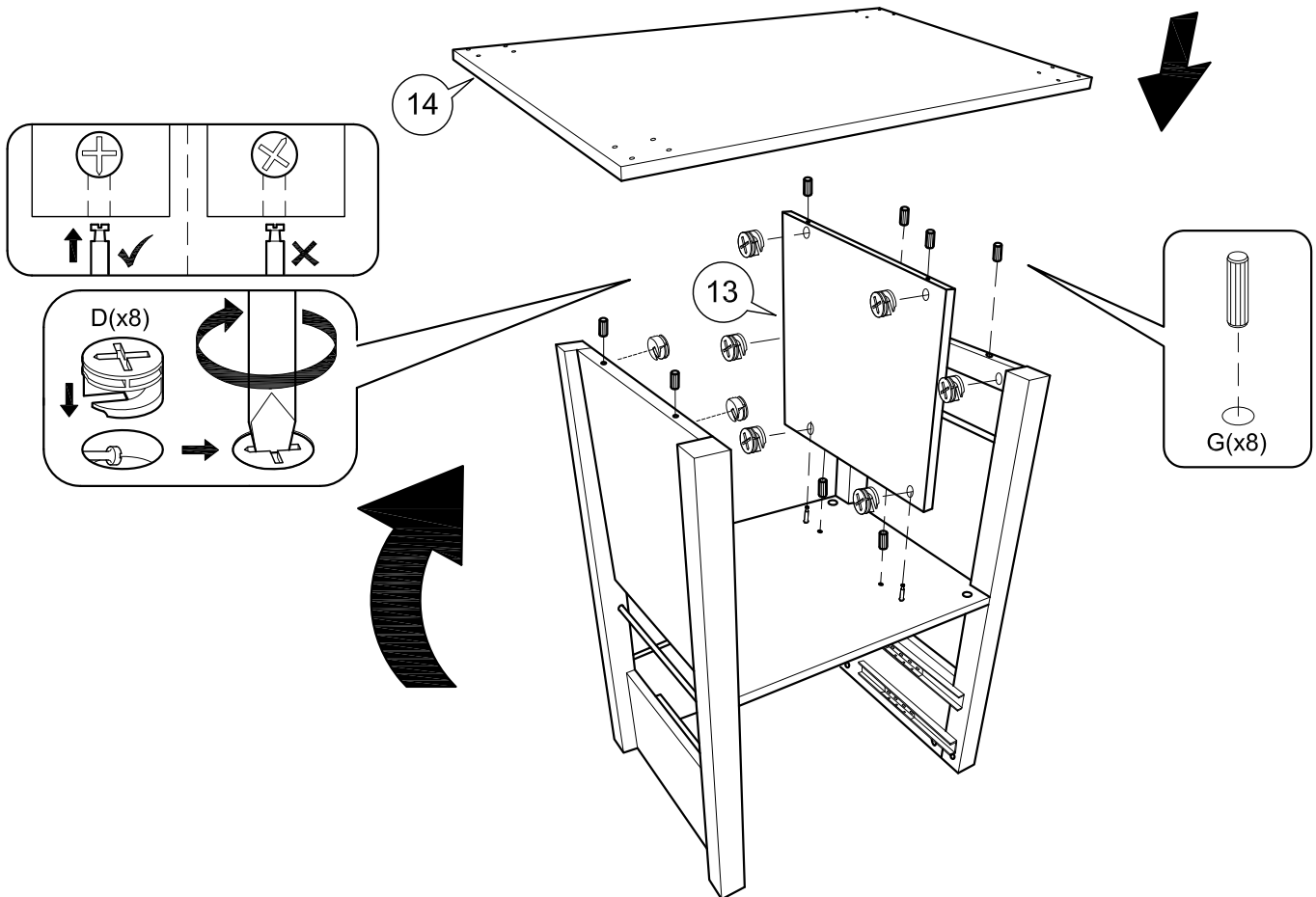
6



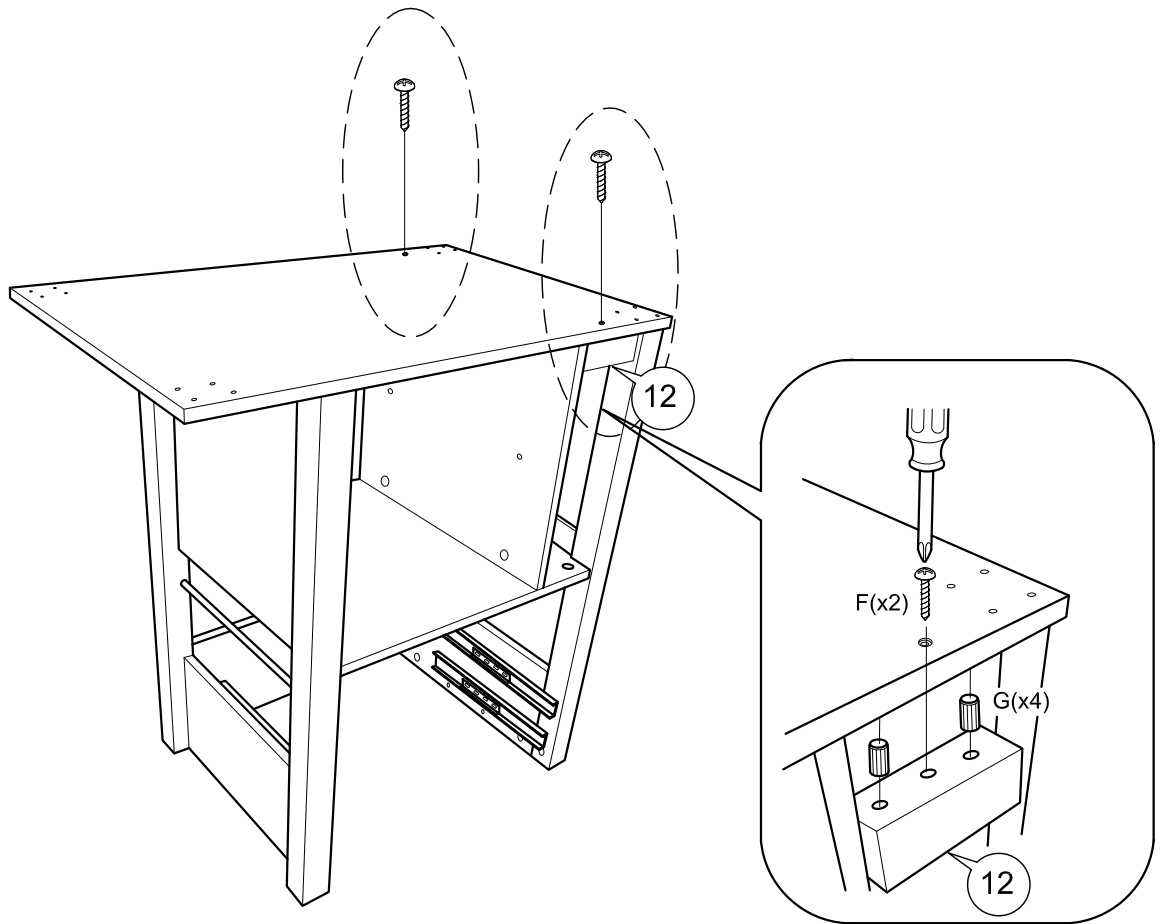
7



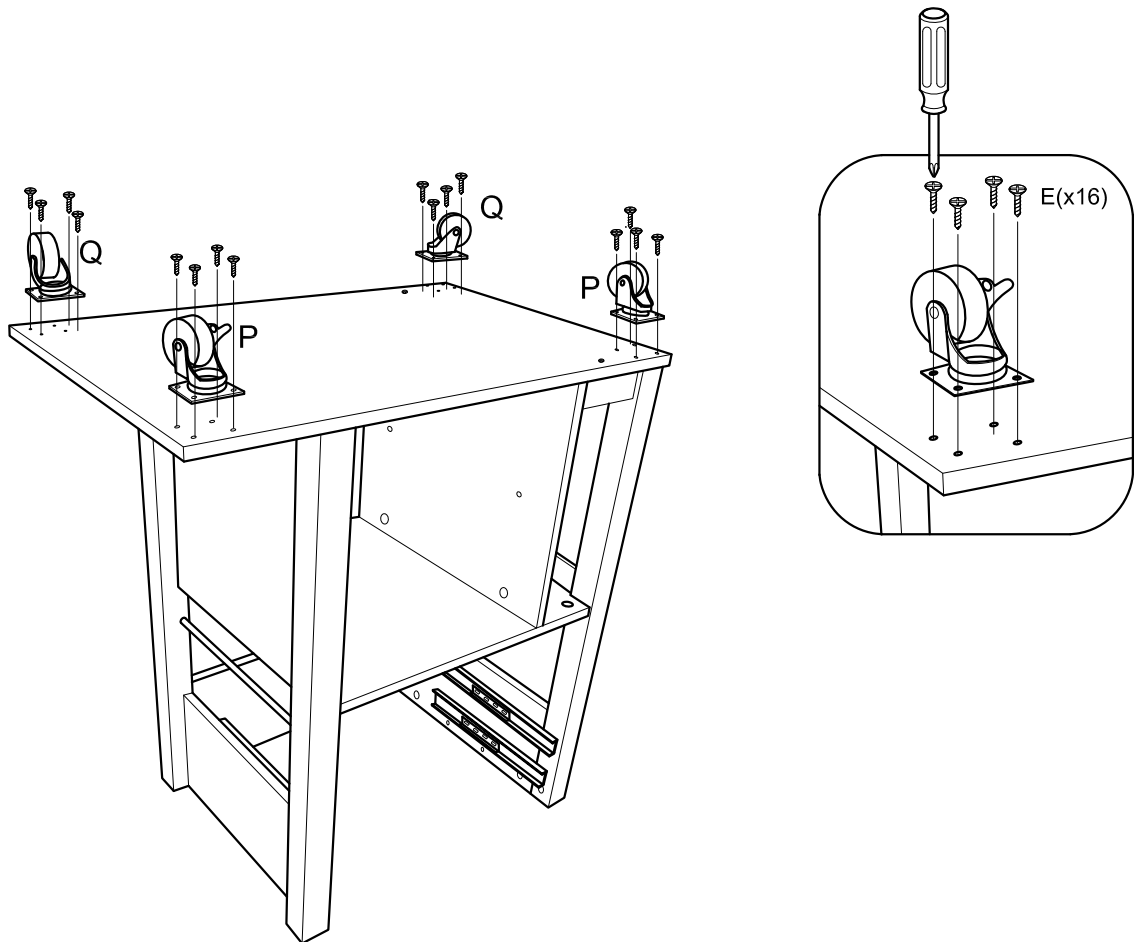
8



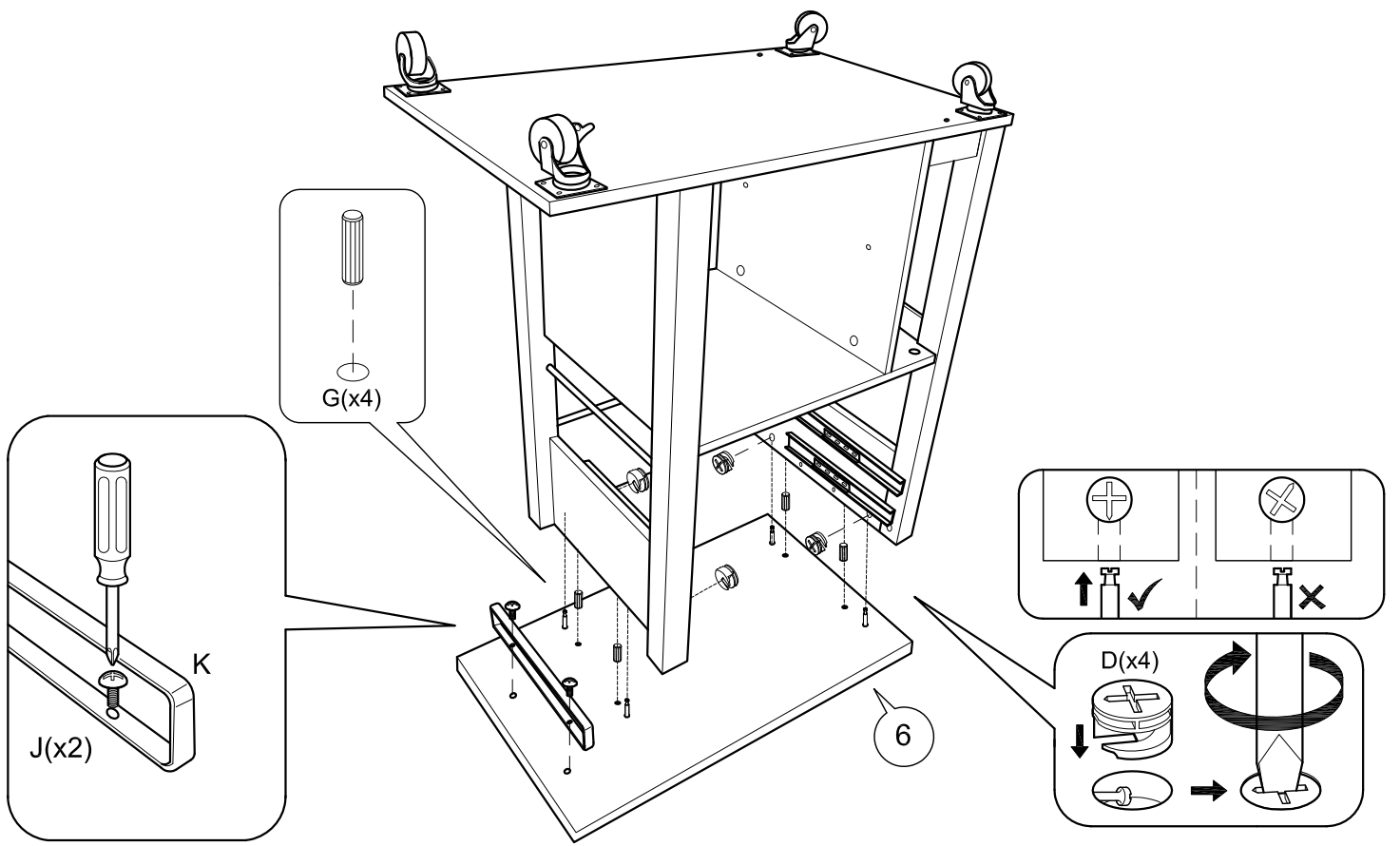
9



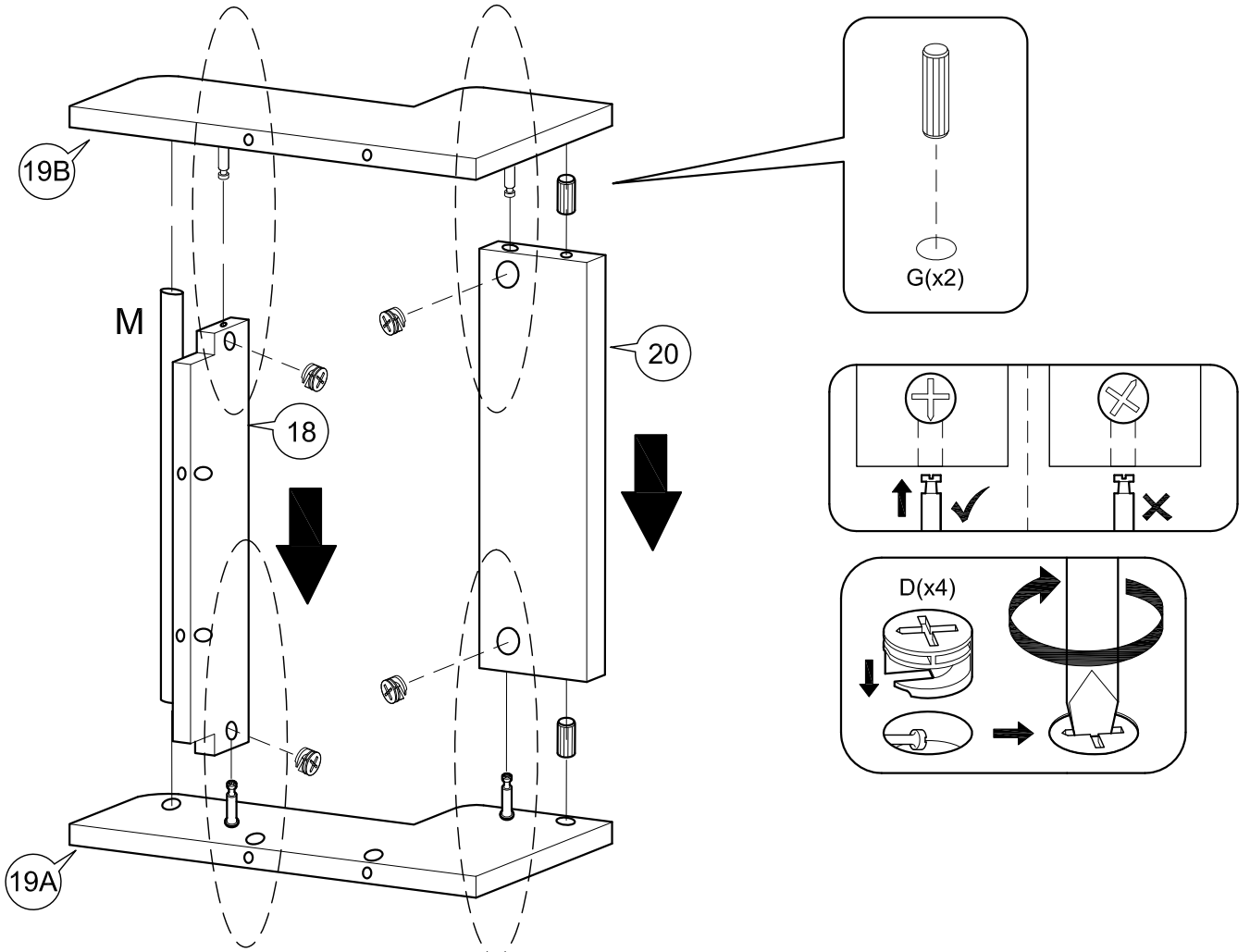
10

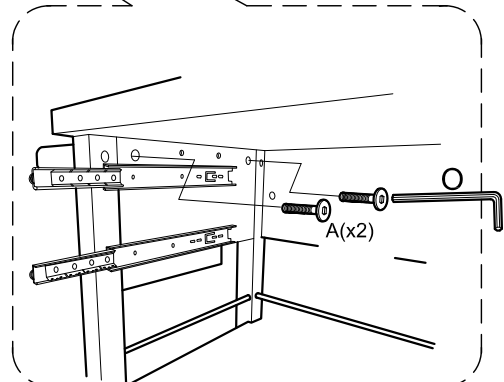
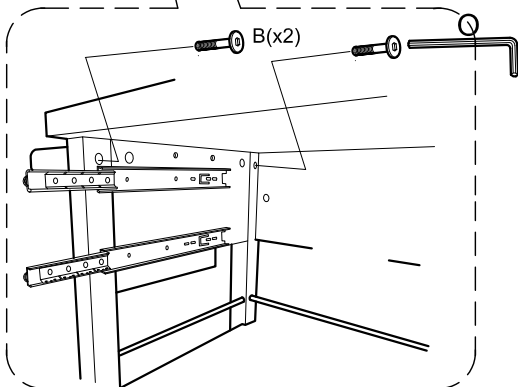
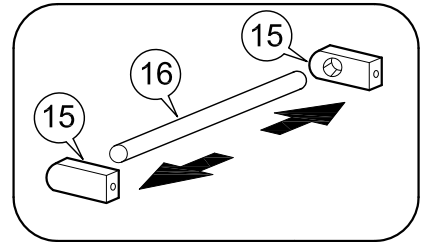
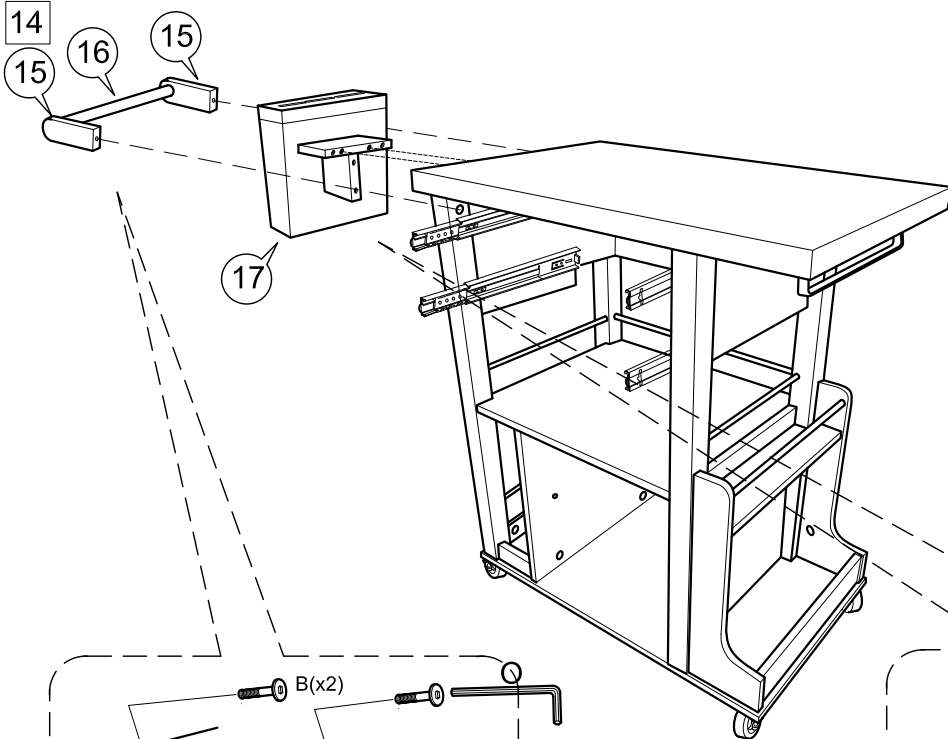
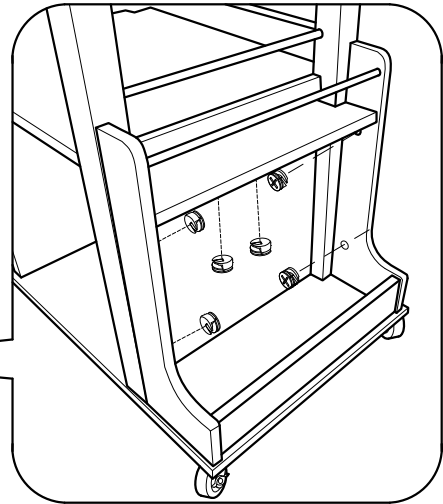
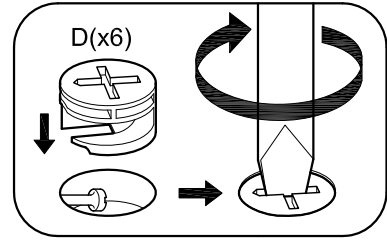
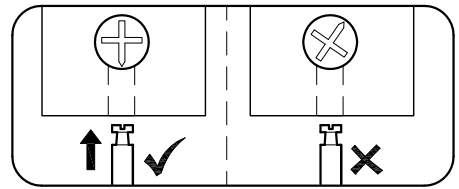
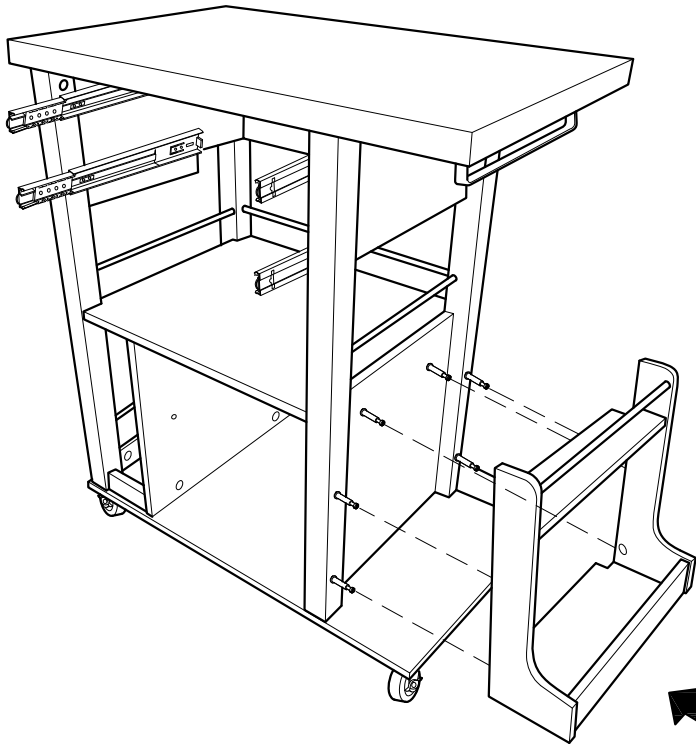


11

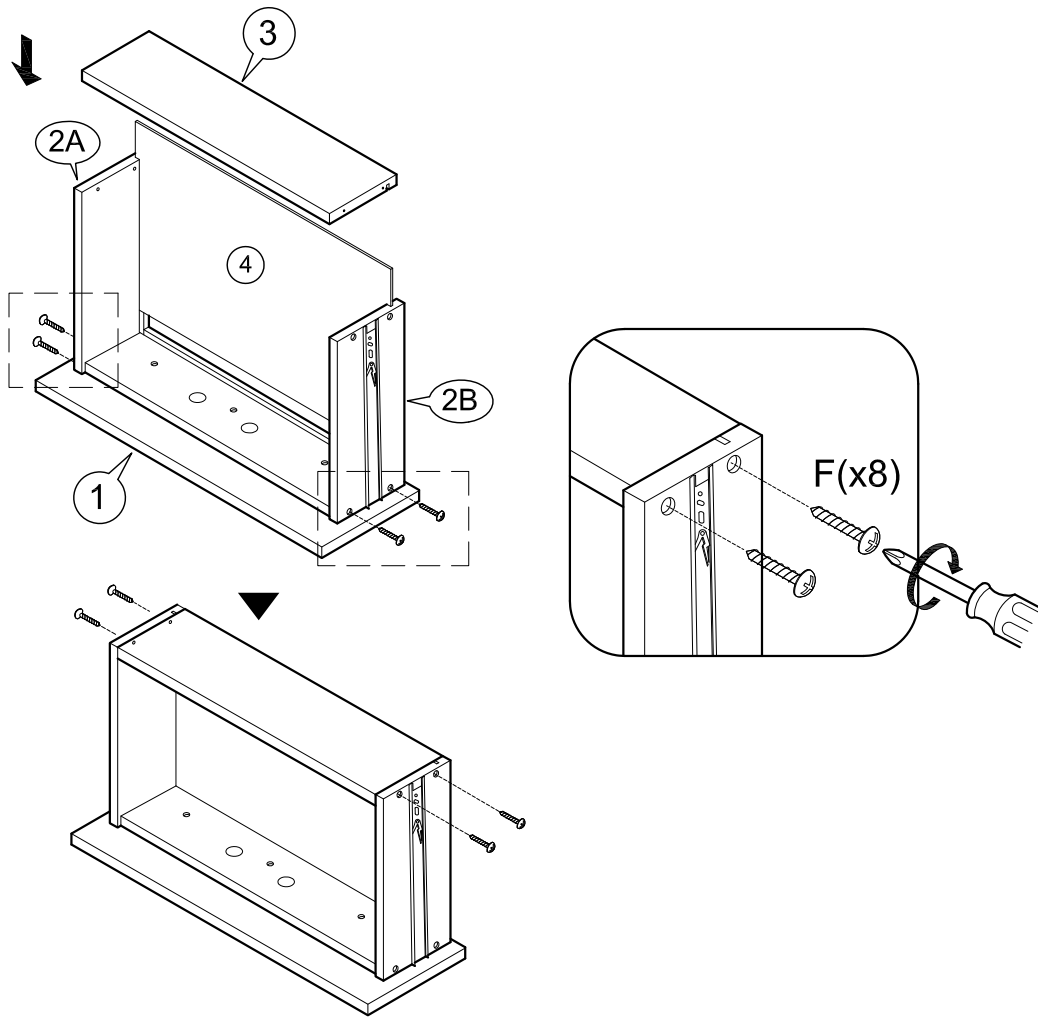


12

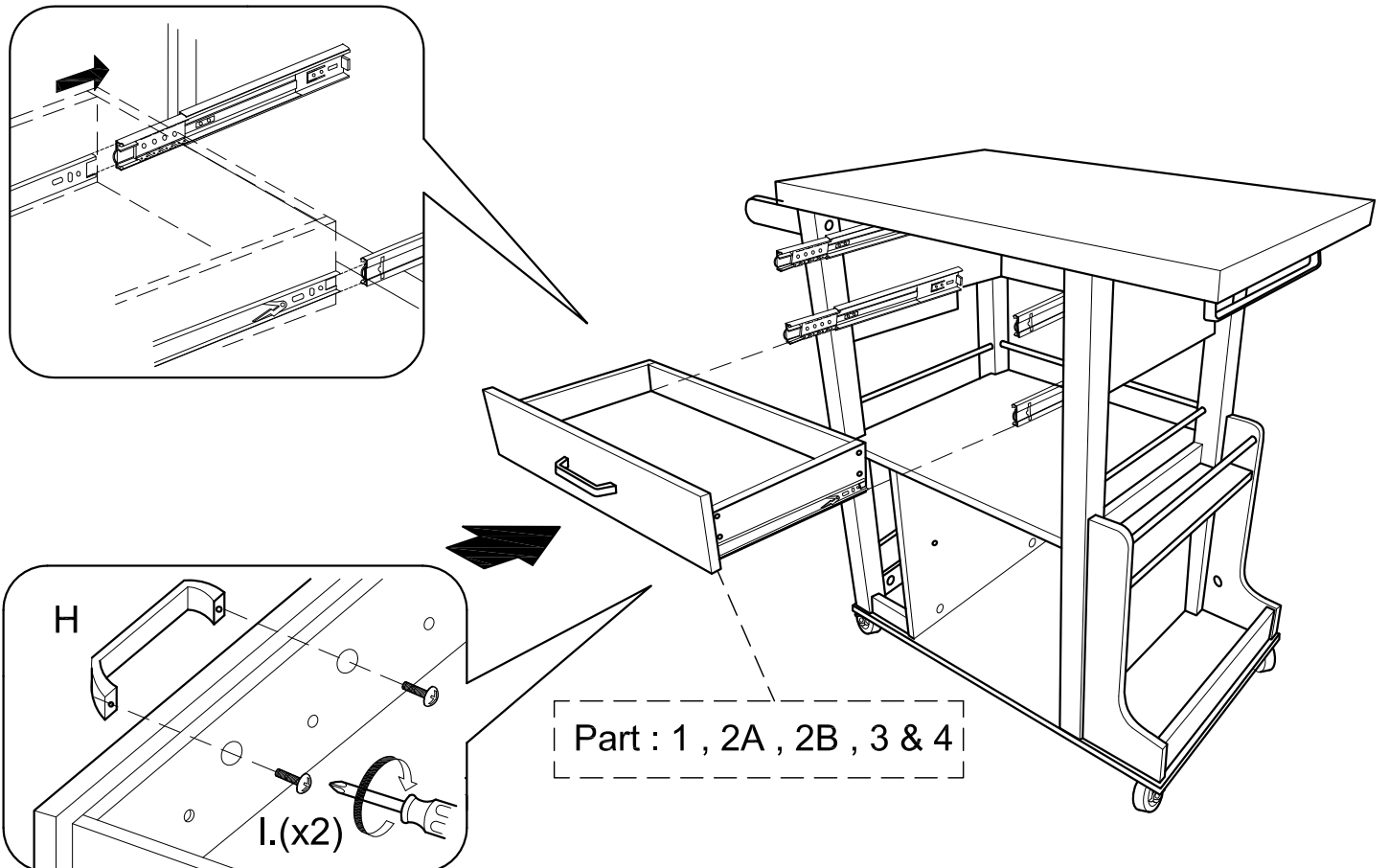




15

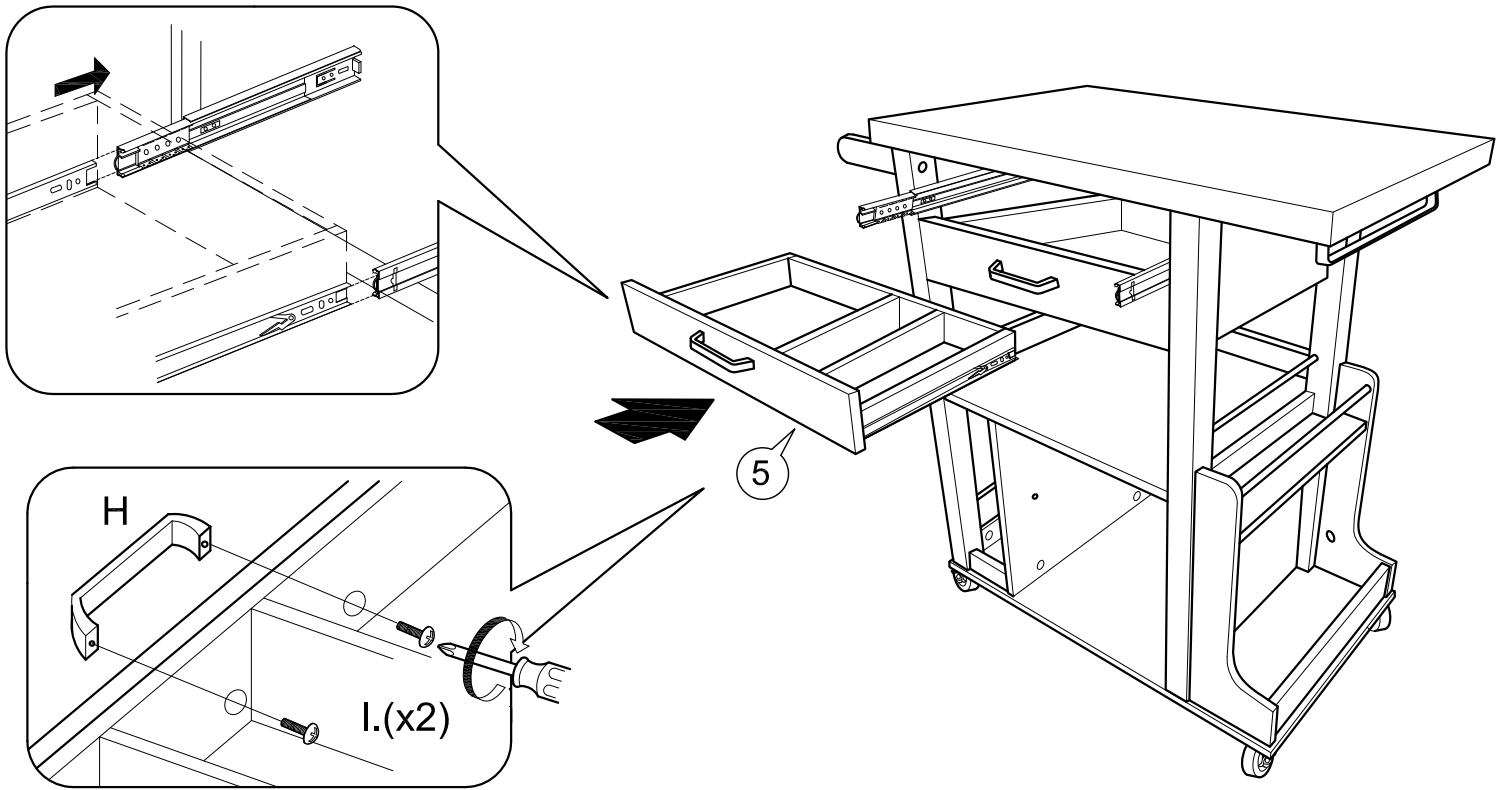


16





17



18

