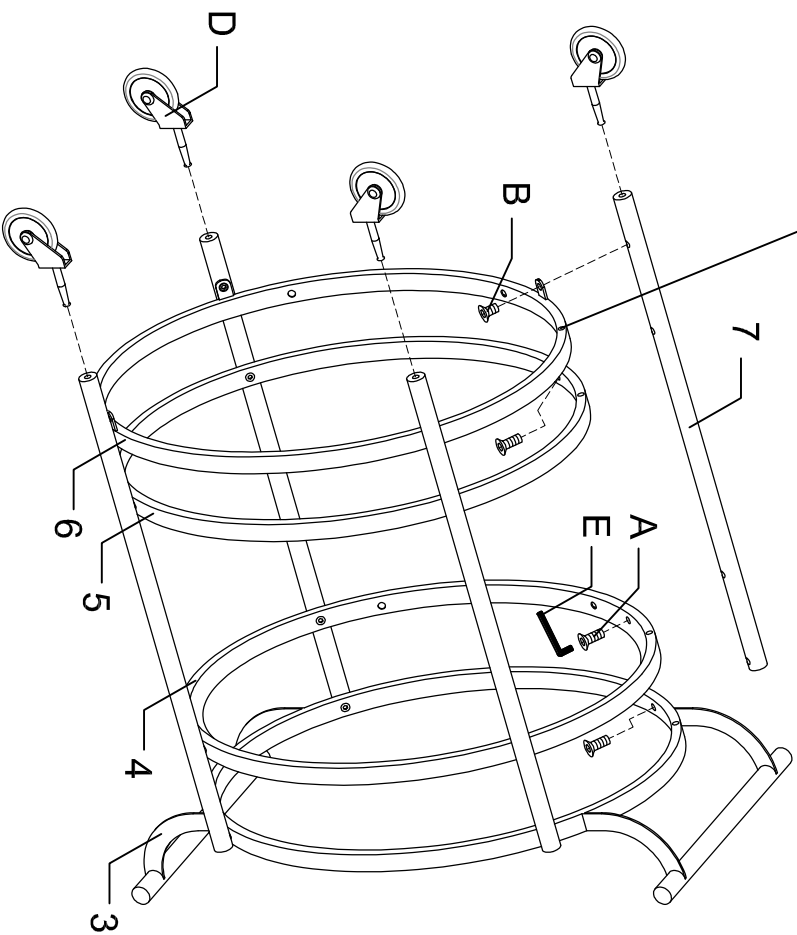


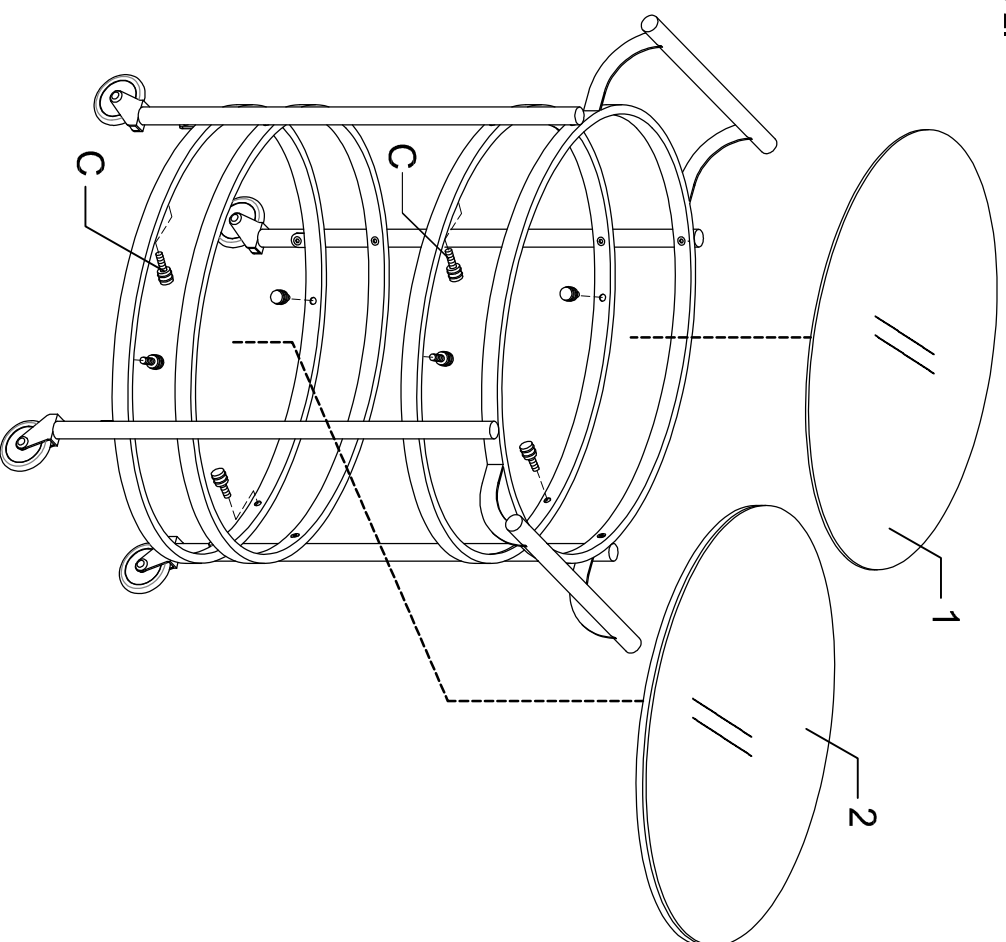
**** Do not tighten any bolts until all of them have been started !**

Step 1.

NOTE: Please note there are drain holes in the ring. Please make sure the drain holes in the faces down in assembly.



Step 2.



ACCESSORY PACK

A 12+1PCS	B 4PCS	C 8PCS	D 4PCS	E 1PC
--------------	-----------	-----------	-----------	----------

COMPLETE HARDWARE

1 glass 1PC	2 mirror 1PC	3 1PC	4 1PC	5 1PC	6 1PC	7 4PCS
-------------------	--------------------	----------	----------	----------	----------	-----------