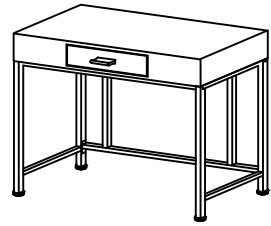
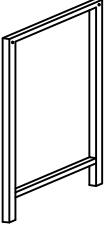




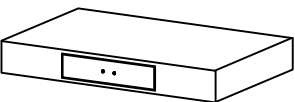


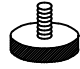
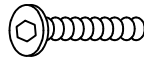




ITEM NO. 92425

WRITING DESK

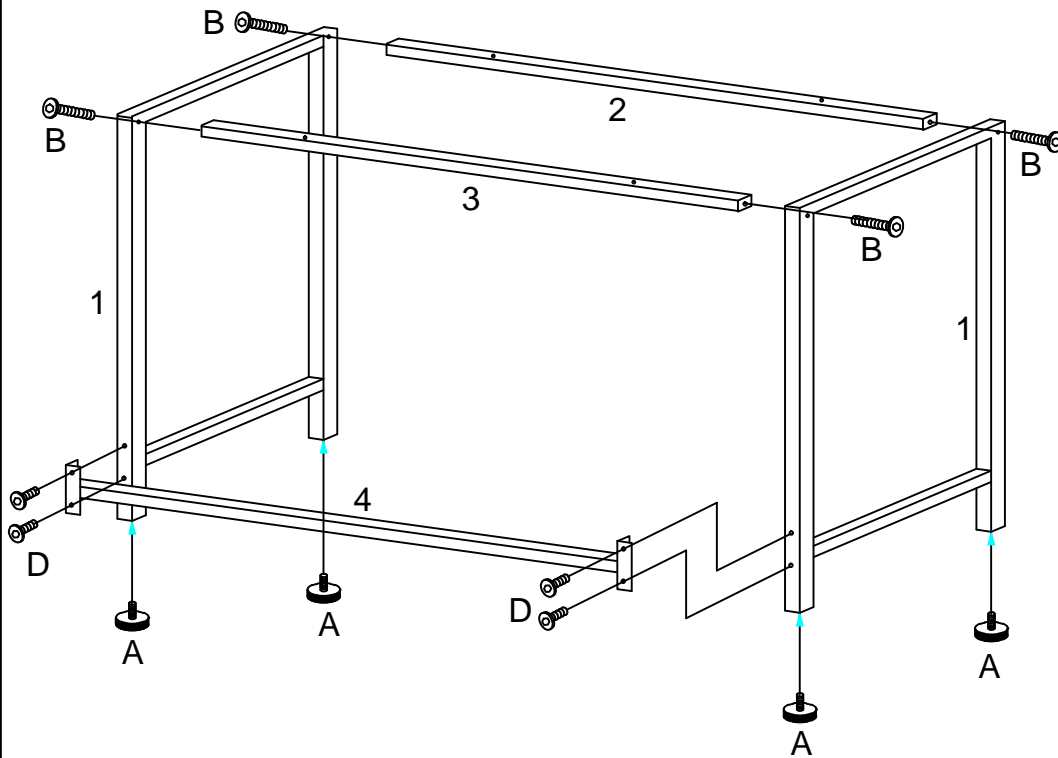


ASSEMBLY INSTRUCTION

<p>1</p>  <p>METAL SIDE PANEL 2PCS</p>	<p>2</p>  <p>FRONT STRETCHER 1PC</p>	<p>3</p>  <p>BACK STRETCHER 1PC</p>	<p>4</p>  <p>BOTTOM STRETCHER 1PC</p>
<p>5</p>  <p>SUPPORT 2PCS</p>	<p>6</p>  <p>TABLE TOP 1PC</p>		

<p>A</p>  <p>LEVELER 4PCS</p>	<p>B</p>  <p>BOLT 1/4" x 2" 6PCS</p>	<p>C</p>  <p>BOLT 1/4" x 1-1/4" 4PCS</p>	<p>D</p>  <p>BOLT 1/4" x 1/2" 8PCS</p>
<p>E</p>  <p>CAP 4PCS</p>	<p>F</p>  <p>ALLEN KEY 1PC</p>		

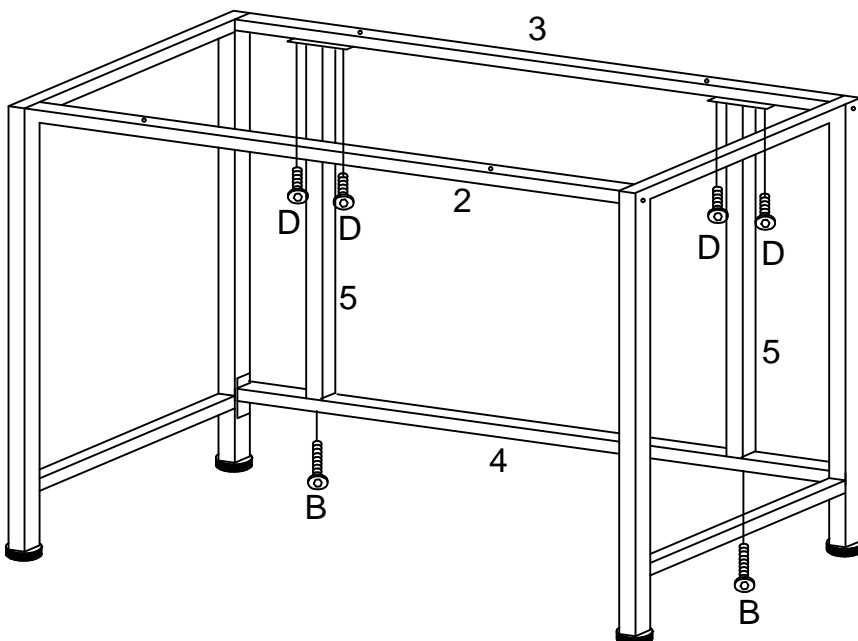
STEP 1



Attach metal side panels (1) to front stretcher (2) and back stretcher (3) using bolts (B), then attach bottom stretcher (4) to side panels (1) using bolts (D) as shown.

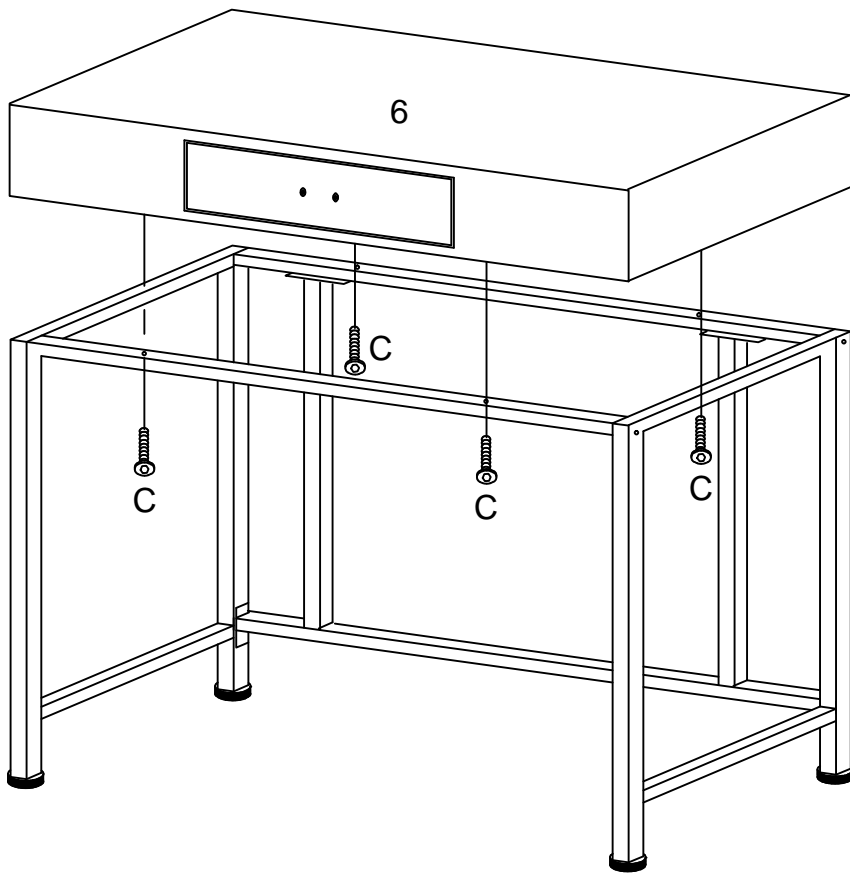
Attach levelers (A) to the bottom of metal side panels (1).

STEP 2



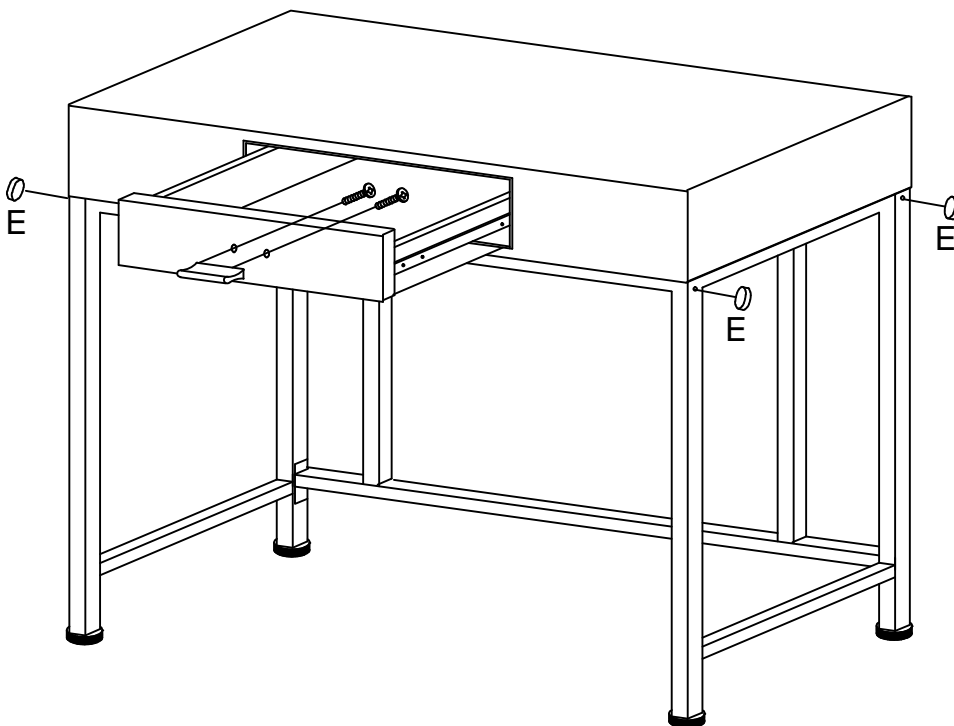
Attach support (5) to back stretcher (3) by using bolts (D), and use bolts (B) to screw support (5) and bottom stretcher (4).

STEP 3



Attach table top (6) to the assembled metal base using bolts (C) as shown.
Tighten all bolts firmly.

STEP 4



Remove knob from inside of the drawer, and then reattach to drawer front as shown.
Use caps (E) to cover bolts (B).