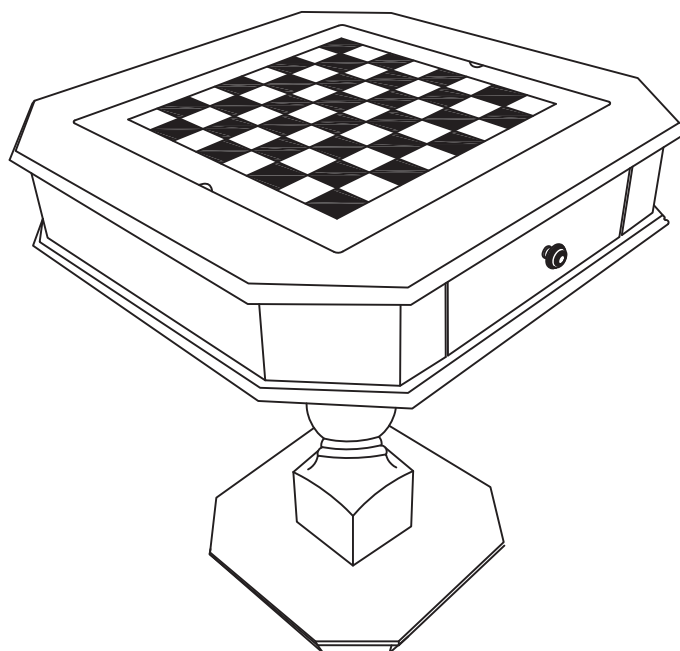
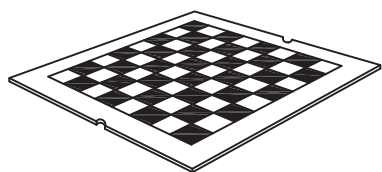


Chess tables

Item no.82844/82846

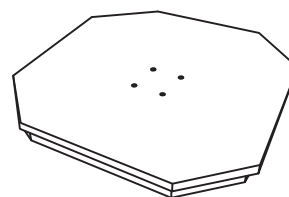


A



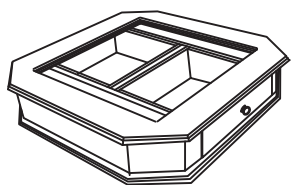
1 pc

B



1 pc

C



1 pc

D



1 pc

1



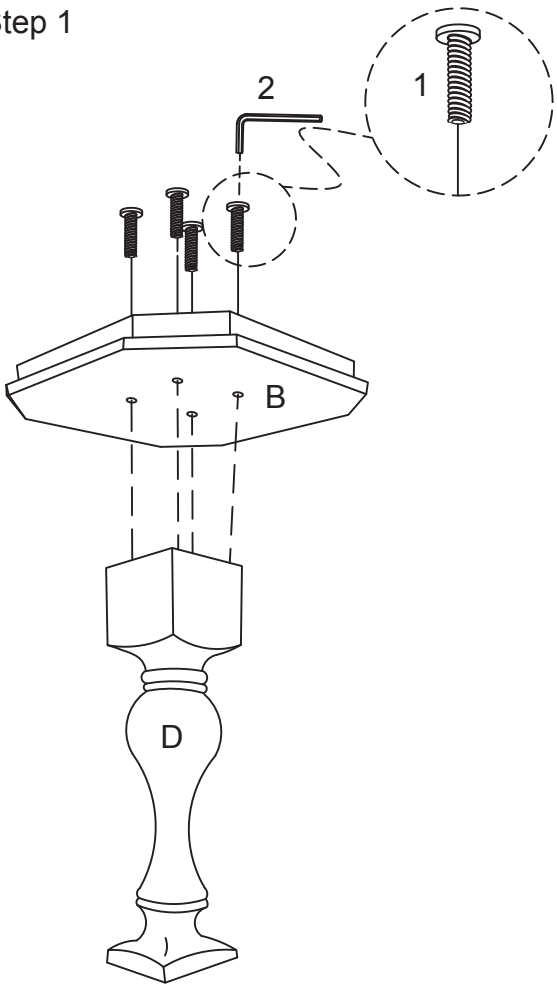
8 pcs

2

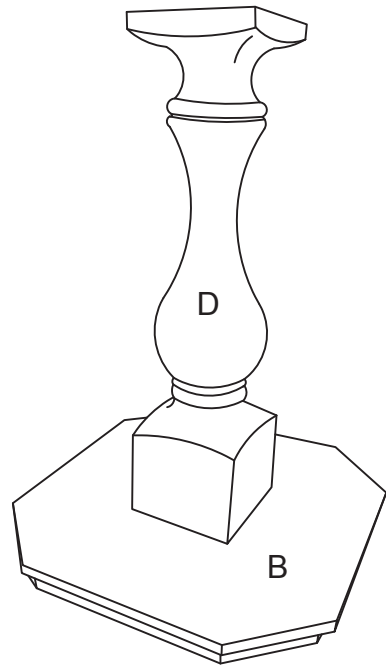


1 pc

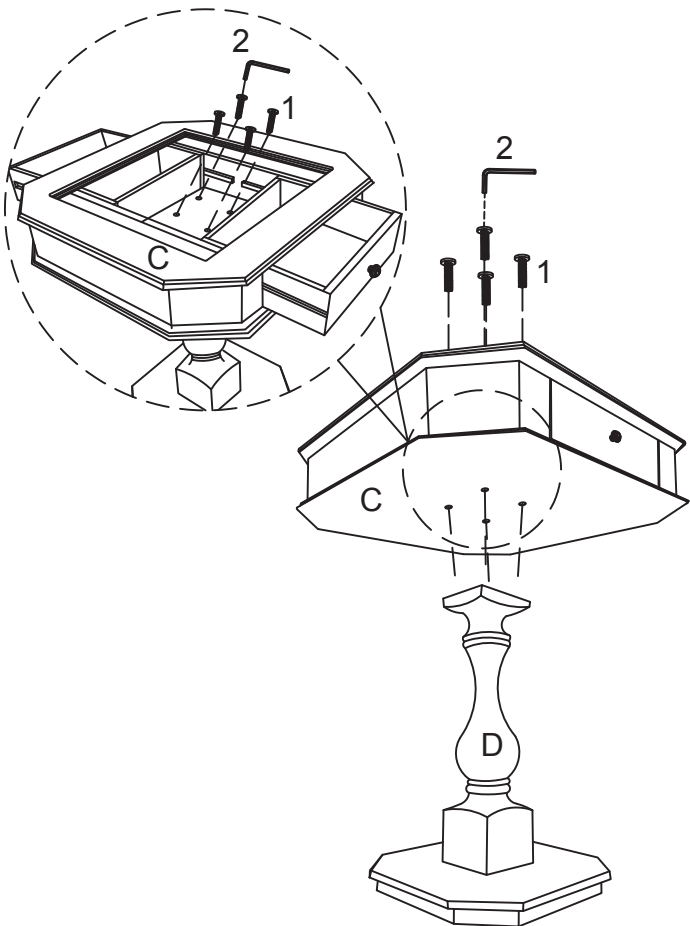
Step 1



Step 2



Step 3



Step 4

