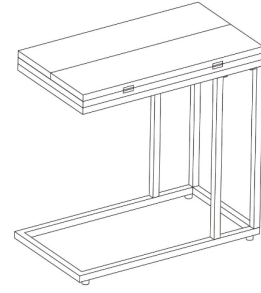
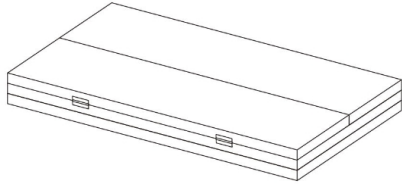
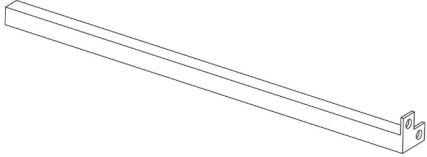
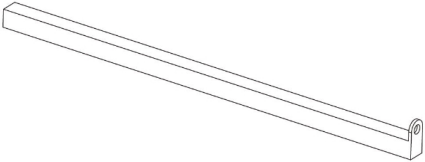
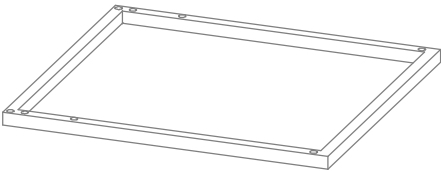
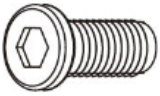
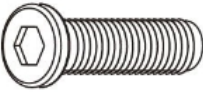
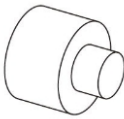
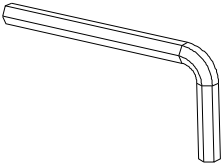


ITEM NO. 81849 SIDE TABLE

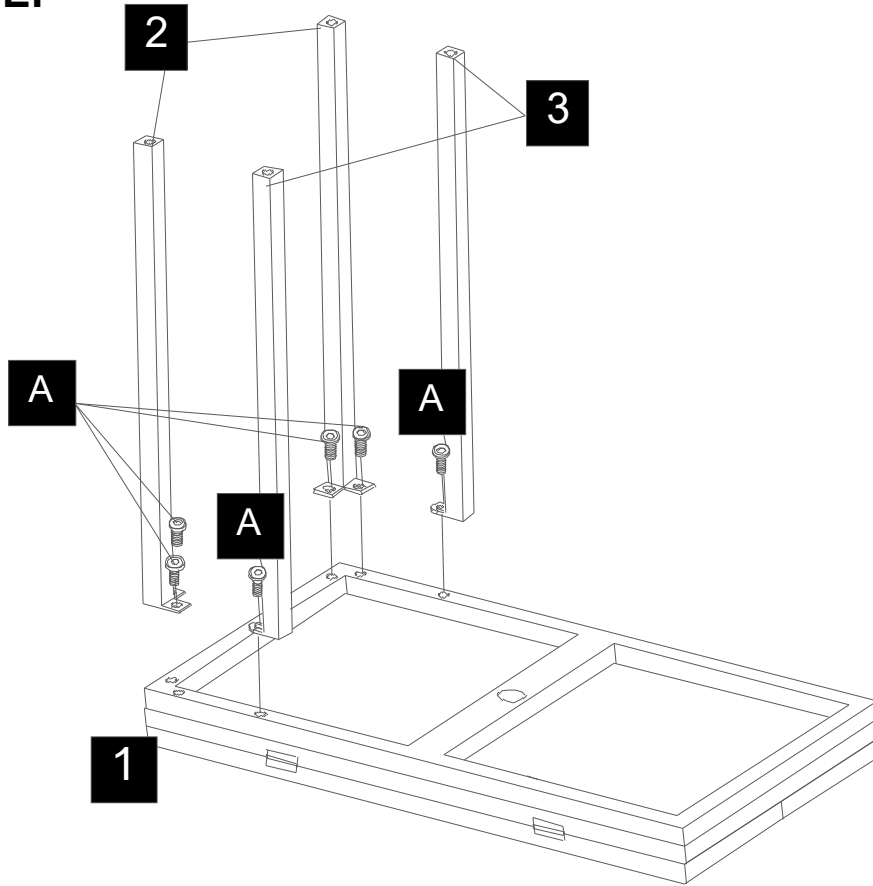


ASSEMBLY INSTRUCTIONS

<p>1</p>  <p style="text-align: center;">SWIVEL TABLE TOP 1PC</p>		<p>2</p>  <p style="text-align: center;">LEG 2PCS</p>	
<p>3</p>  <p style="text-align: center;">LEG 2PCS</p>		<p>4</p>  <p style="text-align: center;">BOTTOM FRAME 1PC</p>	
<p>A</p>  <p style="text-align: center;">BOLT 1/4" X 1/2" 6PCS</p>	<p>B</p>  <p style="text-align: center;">BOLT 1/4" X 1-1/4" 4PCS</p>	<p>C</p>  <p style="text-align: center;">FOOT PAD 4PCS</p>	<p>D</p>  <p style="text-align: center;">ALLEN KEY 1PC</p>

***** Do not tighten screws & bolts until the entire unit is completely assembled. *****

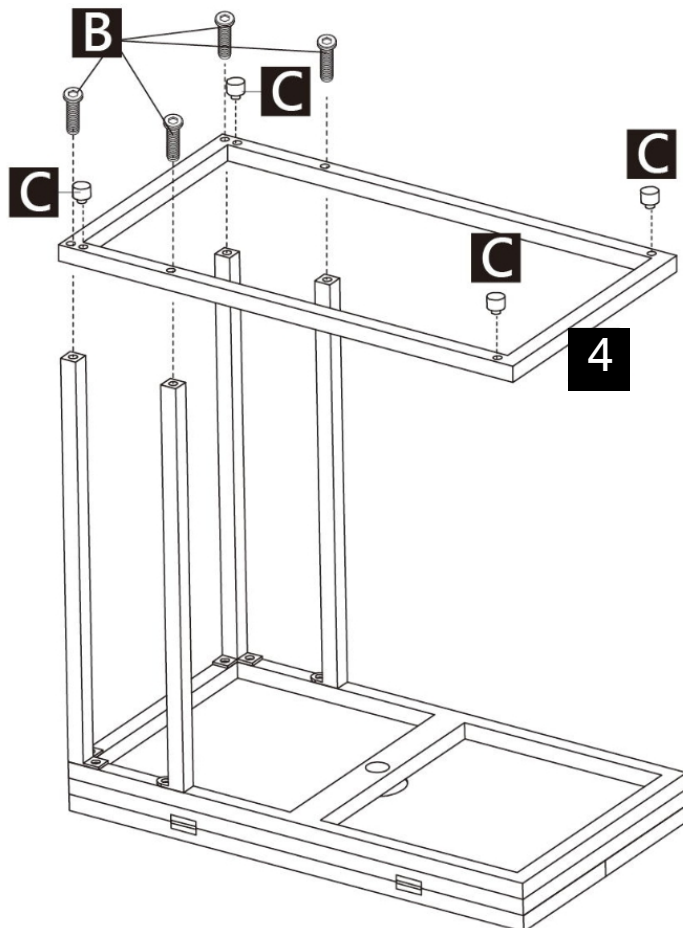
STEP



*Please put all parts on a soft surface to prevent scratches.

Attach leg (2) and leg (3) to swivel table top (1) by using bolts (A) as shown.

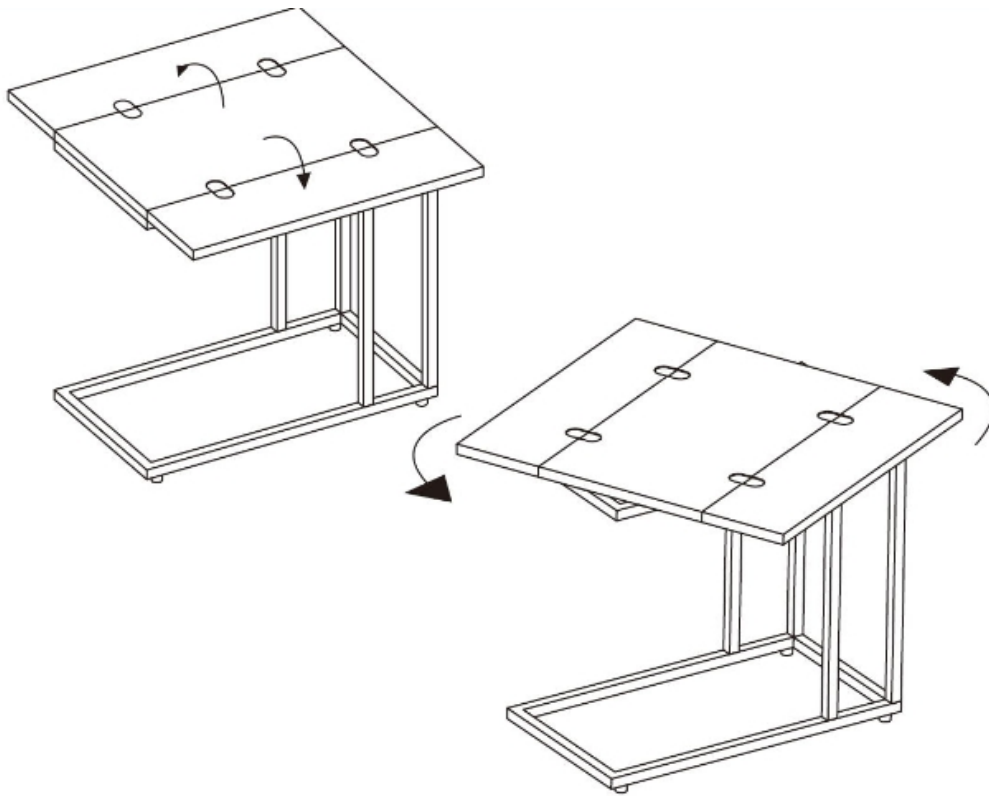
STEP 2



Attach bottom frame (4) to leg (2) and leg (3) by using bolts (B) as shown.

Then insert foot pad (C) as shown.

STEP 3



Turn the unit right side up carefully..

Your side table is now complete.

Open the top and turn it as your prefer.