

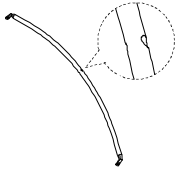
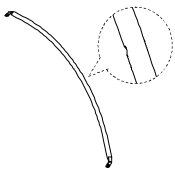


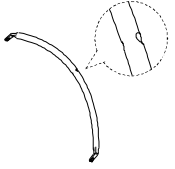
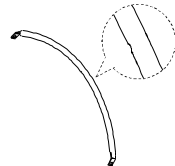
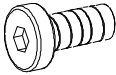
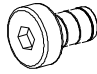



**ITEM NO : 81705 - WEATHERED LIGHT OAK  
81710 - WEATHERED DARK OAK**

**3PC PK COFFEE/END TABLE SET**

**Assembly Instructions**

PARTS IDENTIFICATION			
NO	Part	Sketch	Quantity
1		Coffee Table Top	1PC
2		Coffee Table Leg	4PCS
3		Coffee Table Bottom Stretcher	1PC
4		Coffee Table Top Stretcher	1PC
5		End Table Top	2PCS
6		End Table Leg	8PCS
7		End Table Bottom Stretcher	2PCS
8		End Table Top Stretcher	2PCS

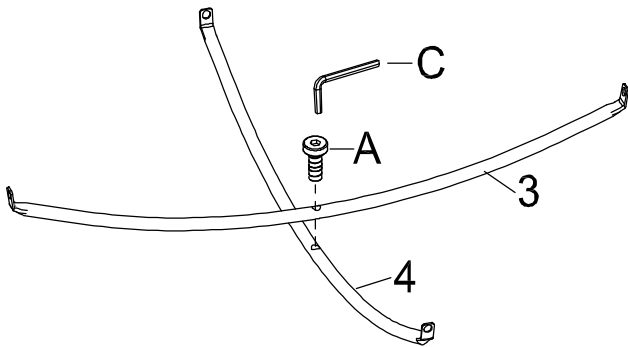
HARDWAER LIST			
NO	Shape	Specification	Quantity
A		Bolt 3/16" x 5/8"	3PCS
B		Bolt 3/16" x 3/8"	36PCS
C		Allen Key	1PC



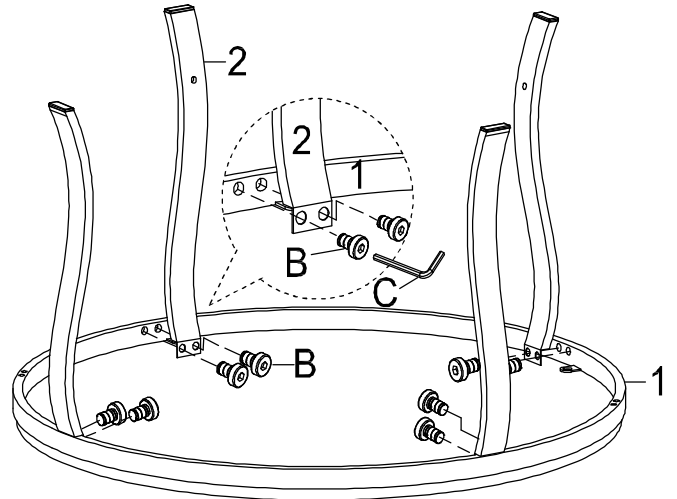
# COFFEE TABLE

\*\*\* **Do not tighten screws & bolts until the entire unit is completely assembled.**

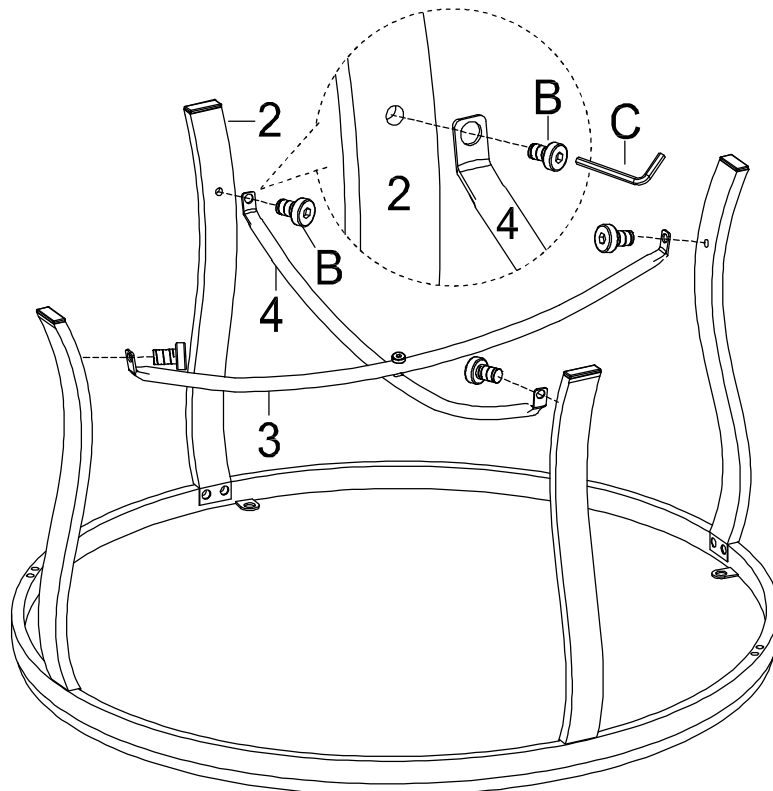
Step 1: Assemble coffee table bottom stretcher (3) to coffee table top stretcher (4) by using bolt (A) and allen key (C) as shown.



Step 2: Attach coffee table leg (2) to coffee table top (1) by using bolt (B) and allen key (C).



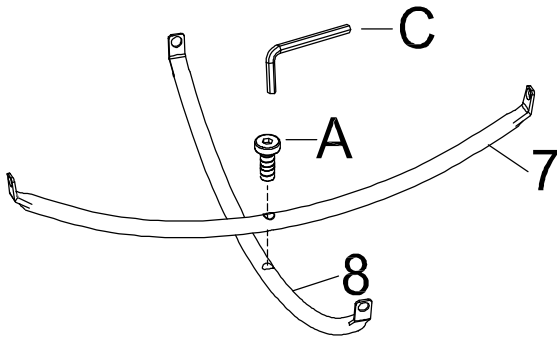
Step 3: Attach the assembled stretcher (3) & (4) to coffee table leg (2) by using bolt (B) and allen key (C) as shown. Then tighten all bolts firmly.



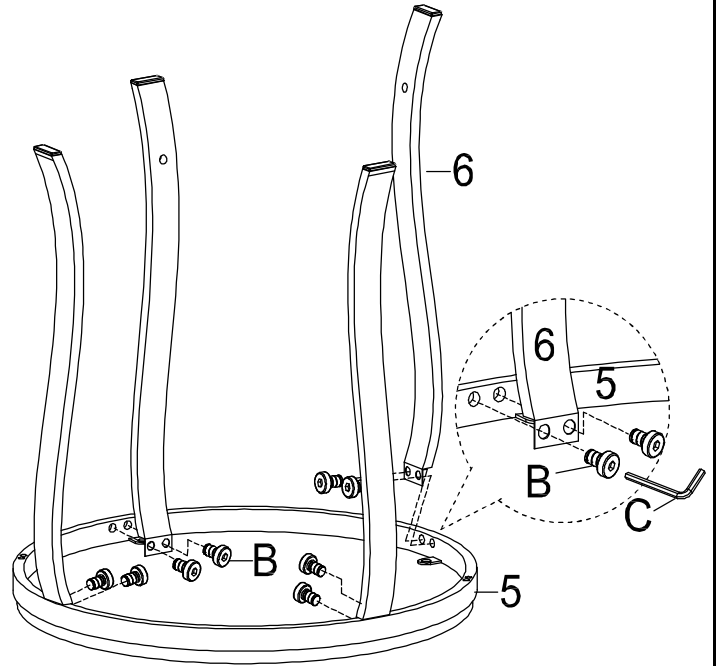
## END TABLE

**\*\*\* Do not tighten screws & bolts until the entire unit is completely assembled.**

Step 1: Assemble end table bottom stretcher (7) to end table top stretcher (8) by using bolt (A) and allen key (C) as shown.



Step 2: Attach end table leg (6) to end table top (5) by using bolt (B) and allen key (C).



Step 3: Attach the assembled stretcher (7) & (8) to end table leg (6) by using bolt (B) and allen key (C) as shown. Then tighten all bolts firmly.

