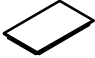

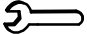



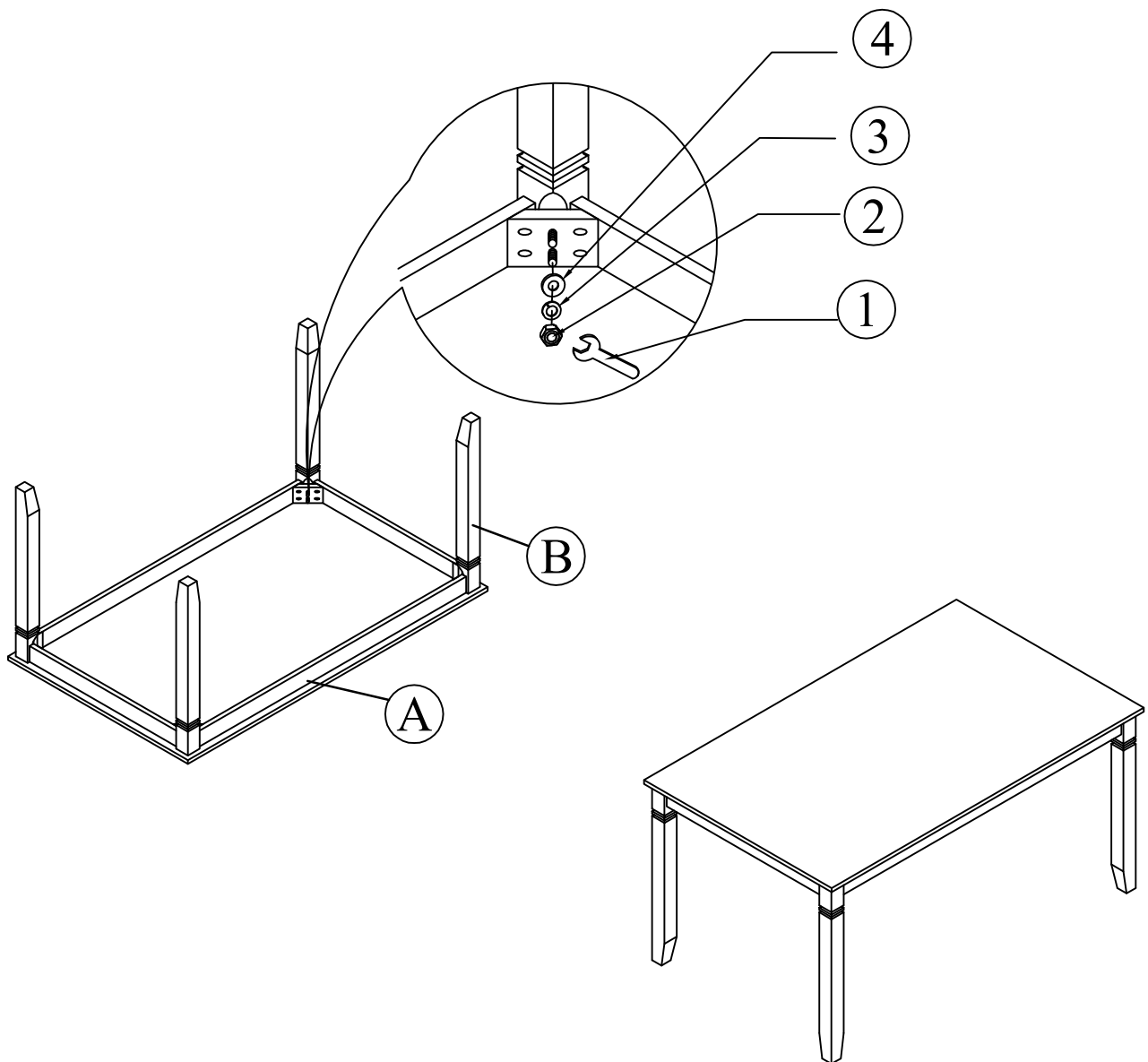


# ASSEMBLY INSTRUCTIONS

## 71955 SET TABLE




No.	DESCRIPTION		Q'TY
A	TABLE TOP		1pc/pieza
B	TABLE LEG		4pcs/piezas
①	OPEN WRENCH	 $\Phi 12$	1pc/pieza
②	NUT	 $\Phi 5/16"$	8pcs/piezas
③	SPRING WASHER	 $\Phi 5/16" * 13\text{mm}$	8pcs/piezas
○	METAL WASHER	 $\Phi 5/16" * 19\text{mm}$	8pcs/piezas












**DO NOT TIGHTEN SCREWS UNTIL COMPLETELY ASSEMBLED !**  
**NO APRETAR LOS TORNILLOS HASTA ARMAR COMPLETAMENTE**

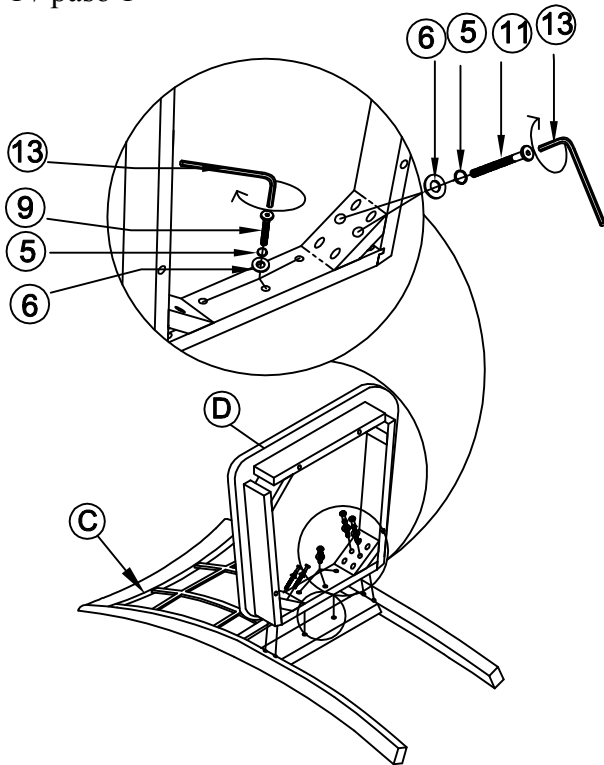
# ASSEMBLY INSTRUCTIONS

## 71955 SET CHAIR

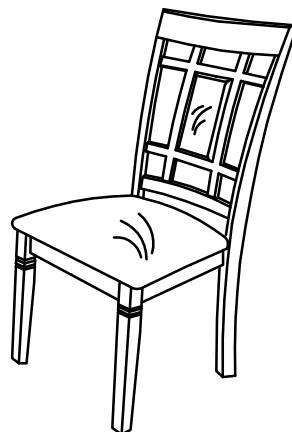
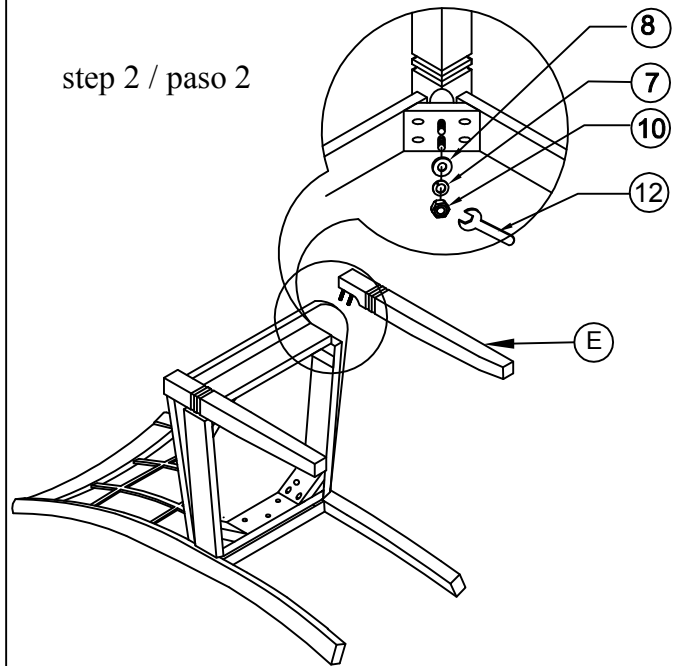
No.	DESCRIPTION	Q'TY
C	CHAIR BACK 	1pc/pieza
D	SEAT FRAME & CUSHION 	1pc/pieza
E	LEG 	2pcs/piezas

No.	DESCRIPTION	Q'TY
⑤	SPRING WASHER  1/4"*10mm	7pcs/piezas
⑥	METAL WASHER  1/4"*18mm	7pcs/piezas
⑦	SPRING WASHER  5/16"*12mm	4pcs/piezas
⑧	METAL WASHER  5/16"*20mm	4pcs/piezas
⑨	BOLT  $\Phi 1/4" * 20 * 1-1/2"$	3pcs/piezas
⑩	NUT  $\Phi 5/16"$	4pcs/piezas
⑪	BOLT  $\Phi 1/4" * 20 * 3-1/8"$	4pcs/piezas
⑫	OPEN WRENCH  $\Phi 12$	1pc/pieza
⑬	ALLEN KEY  $\Phi 1/4" * 2-1/4"$	1pc/pieza

step 1 / paso 1



step 2 / paso 2



**DO NOT TIGHTEN SCREWS UNTIL COMPLETELY ASSEMBLED !**  
**NO APRETAR LOS TORNILLOS HASTA ARMAR COMPLETAMENTE**

# VERY IMPORTANT!! CARING INSTRUCTIONS

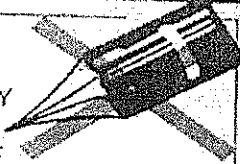
## NEVER

USE GLASS CLEANERS ON FURNITURE COMPONENTS WHICH ARE NOT MADE OF GLASS.

## NEVER

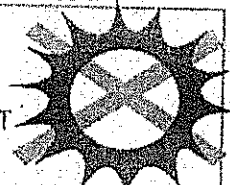
ALLOW ANY KIND OF LIQUID TO REMAIN ON YOUR FURNITURE ABSORPTION CAN CAUSE WOOD TO WARP OR FINISHES TO DE-LAMINATE

DO NOT WRITE DIRECTLY ON SURFACE



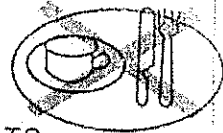
**PREVENT MARKING**

DO NOT PLACE IN DIRECT SUNLIGHT



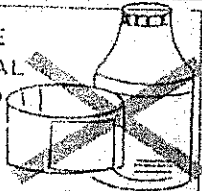
**PREVENT FADING**

DO NOT USE RUBBER-BASED PLACEMATS USE CLOTHS!



**PREVENT DISCOLORING**

DO NOT USE COMMERCIAL WAXES AND POLISHES



**PREVENT YELLOWING**

DO NOT PLACE HOT KETTLES POTS, ETC ON SURFACE



**PREVENT DAMAGE TO FINISH!**

MAINTAIN EVEN HUMIDITY CONDITIONS IN YOUR HOME



**PREVENT SPLITTING**

## TO CLEAN

SIMPLY USE A SOFT CLOTH MOISTENED IN LUKEWARM SOAP & WATER. THEN BUFF WITH A DRY CLEAN CLOTH!

