

ASSEMBLY INSTRUCTION

ITEM : 59440

ASSEMBLY INSTRUCTION

ASSEMBLY TIPS:

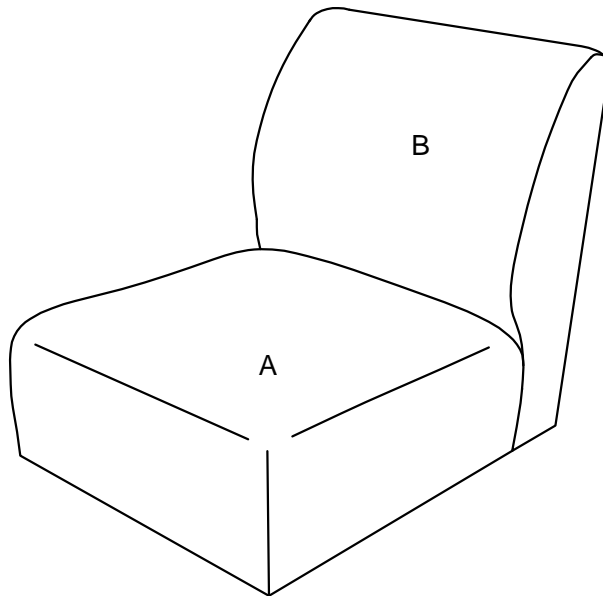
1. Remove hardware from box and sort by size.
2. Please check to see that all hardware and parts are present prior to start of assembly.
3. Please follow attached instruction in the same sequence as numbered to assure fast & easy assembly.



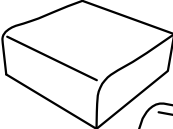



Warning!






1. Don't attempt to repair or modify parts that are broken or defective. Please contact the store immediately.
2. This product is for home use only and not intended for commercial establishment.

ASSEMBLY TIME PER UNIT:



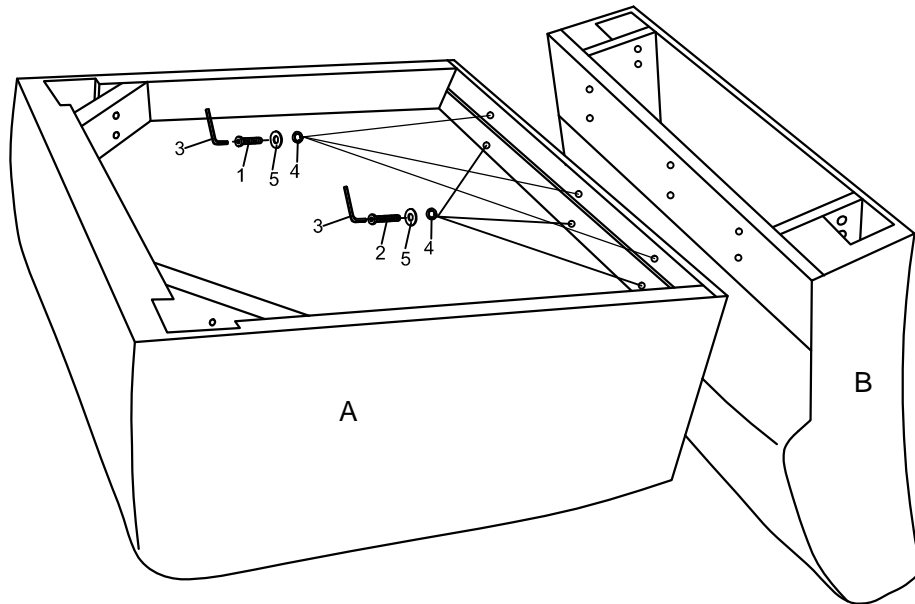
PARTS IDENTIFICATION

A	CHAIR		1 PC
B	CHAIR		1 PC
C	FRONT LEGS		2 PCS
D	BACK LEGS		2 PCS

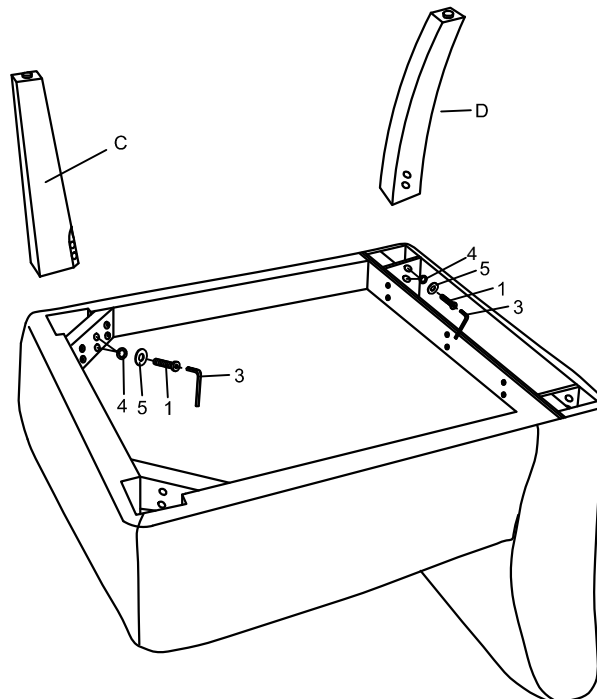
HARDWARE PACKAGE			
NO	DESCRIPTION	FIGURE	QTY
1	BOLTS 5/16"		11 PCS
2	BOLTS 5/16"		3 PCS
3	WRENCH		1 PC
4	SPRING GASKETS		14 PCS
5	WASHERS 5/16"		14 PCS

ACME

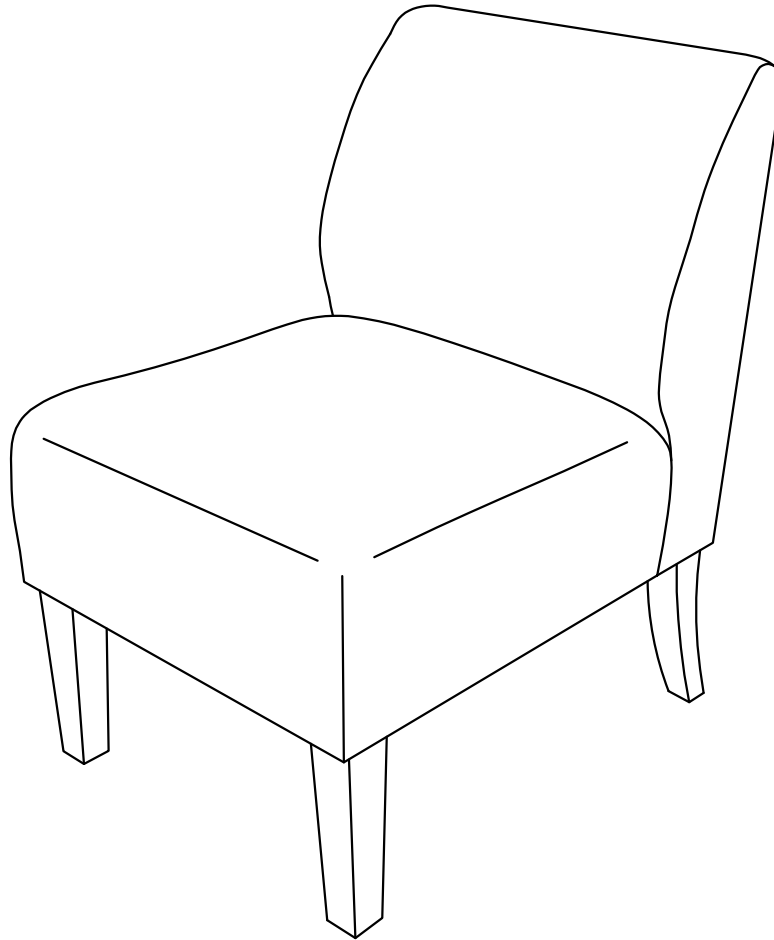
STEP 1



STEP 2



STEP 3



! It is recommended to install protective pads under all legs and supports to avoid damage or scratches when placing furniture on a wood floor or other hard surface, and to limit indentation and prevent discoloration if placing on carpet.

! Il est recommandé de placer des coussins protecteurs sous tous les pieds et toutes les bases des meubles pour éviter d'endommager ou d'égratigner les planchers en bois ou autres surfaces dures, et pour limiter l'empreinte et empêcher la décoloration quand les meubles reposent sur la moquette.