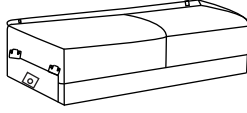
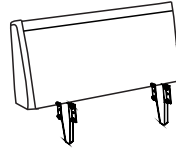
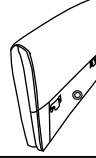
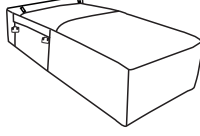
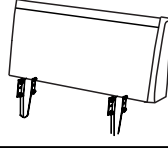
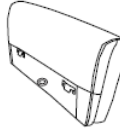
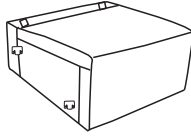
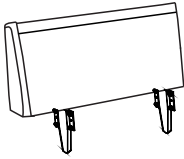
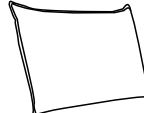



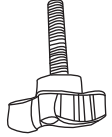
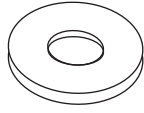


ASSEMBLY INSTRUCTION FOR ACME FURNITURE

MODEL# 51830/51831/51832

Thank you for purchasing the quality product. Be sure to check all packing material carefully for small parts which may have come loose inside the carton during shipment. Separate, identify and count all parts and metal hardware. Compare with all parts list to be sure all parts are present. If any part(s) are missing or damaged, please contact your local furniture dealer. For efficient and speedy service, please indicate the model number and code letter of part(s) needed.

Do not fully tighten screws until fully assembled

	COMPONENT PARTS		
DESCRIPTION	PART NAME		Q'TY (PCS)
①	LOVESEAT SEAT		1
②	LOVESEAT BACK		2
③	LEFT ARM		1
④	CHAISE		1
⑤	CHAISE BACK		1
⑥	RIGHT ARM		1
⑦	ARMLESS SEAT		1
⑧	ARMLESS BACK		1
⑨	PILLOW		4
⑩	WOODEN LEG		12

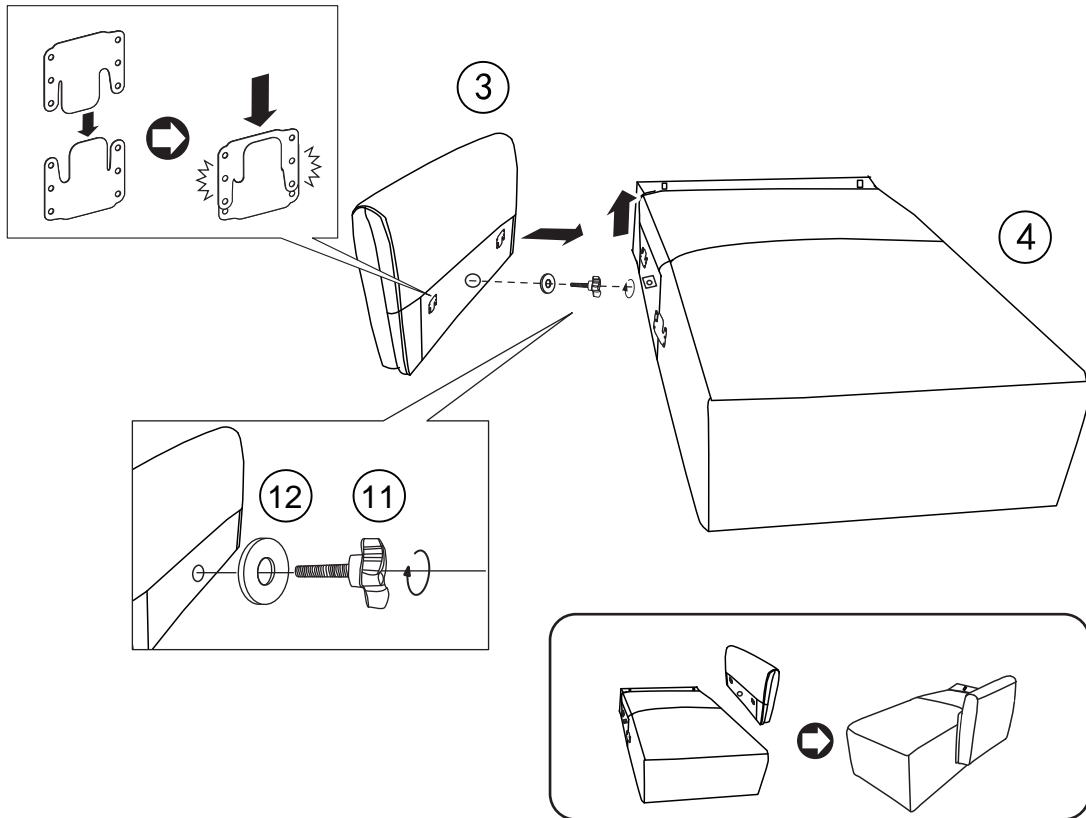
COMPONENT PARTS		
DESCRIPTION	PART NAME	Q'TY (PCS)
⑪	SCREW 	2
⑫	GASKET 	2
⑬	WOODEN LEG GASKET 	12
⑭	LEG MAT 	12

Attention:

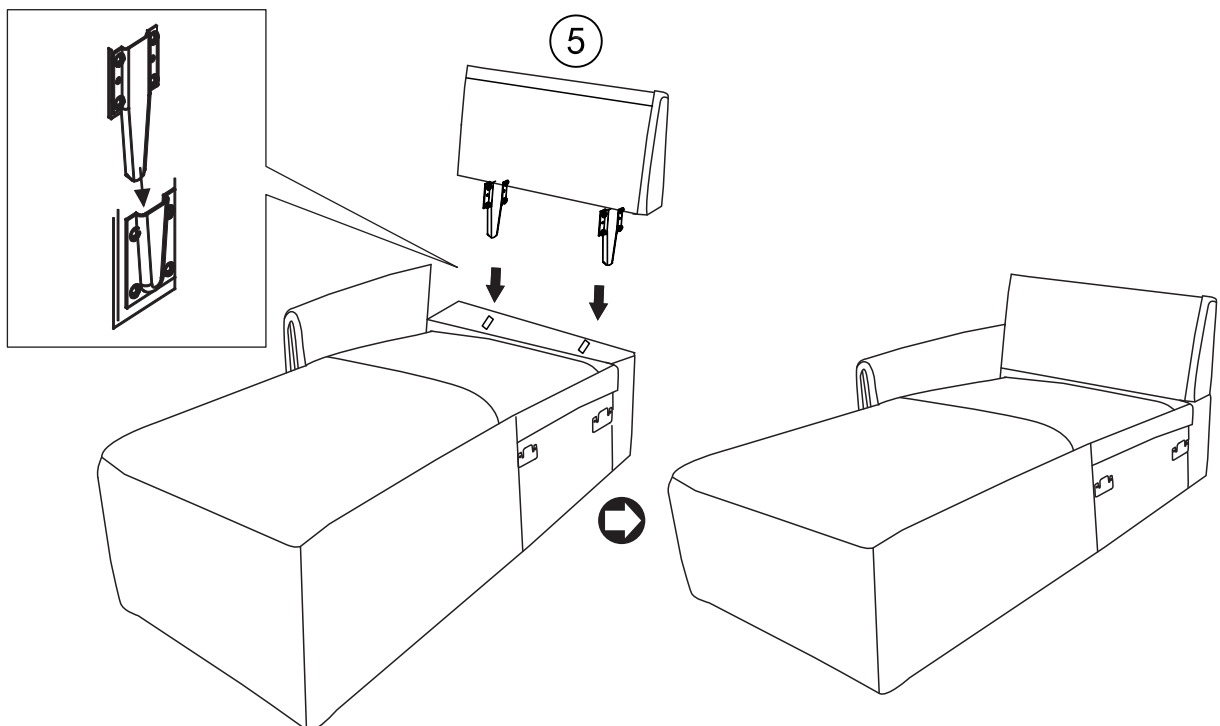
*** Some number parts listed on the instruction sheet may not be in parts bag as they may already be assembled. Carefully check parts and packing materials prior to ordering replacements.

How to assemble:

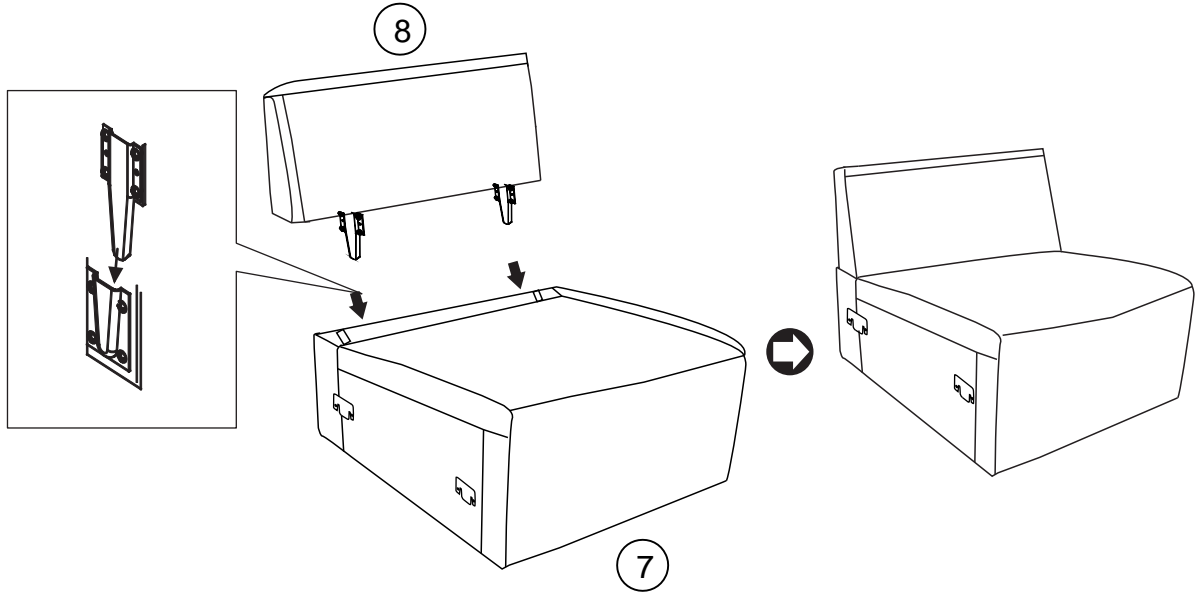
STEP 1:



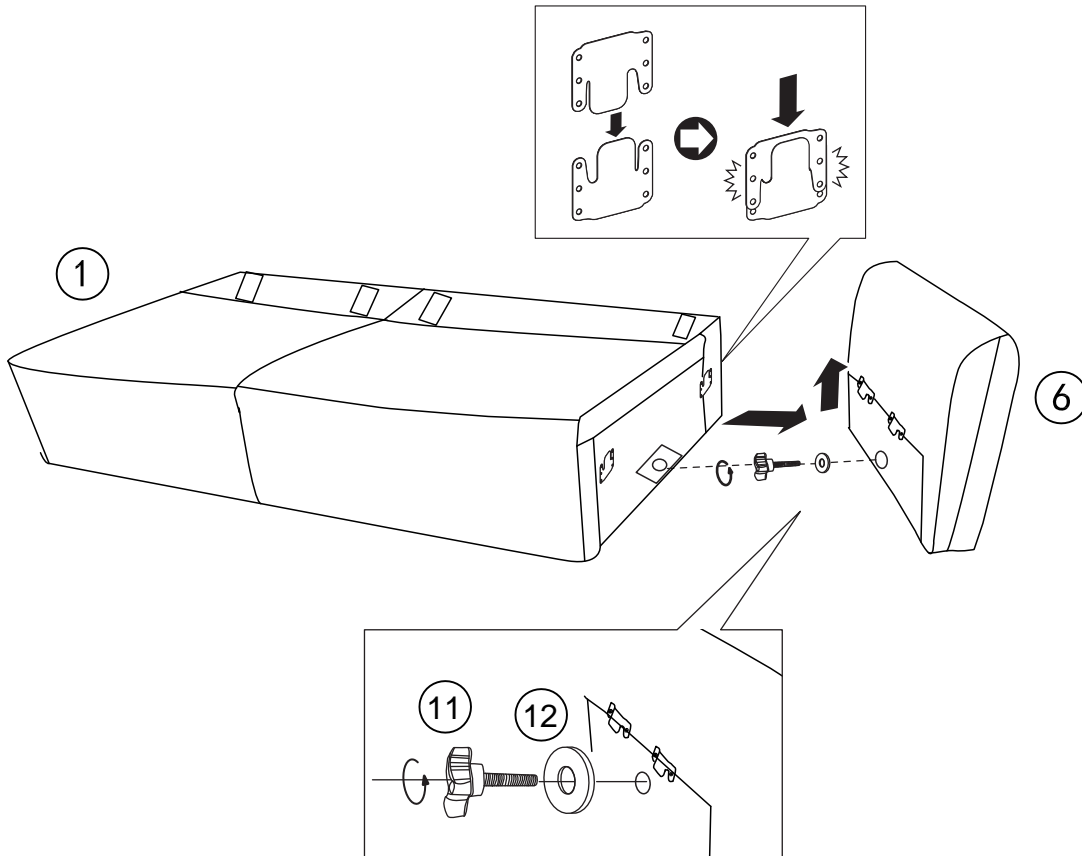
STEP 2:



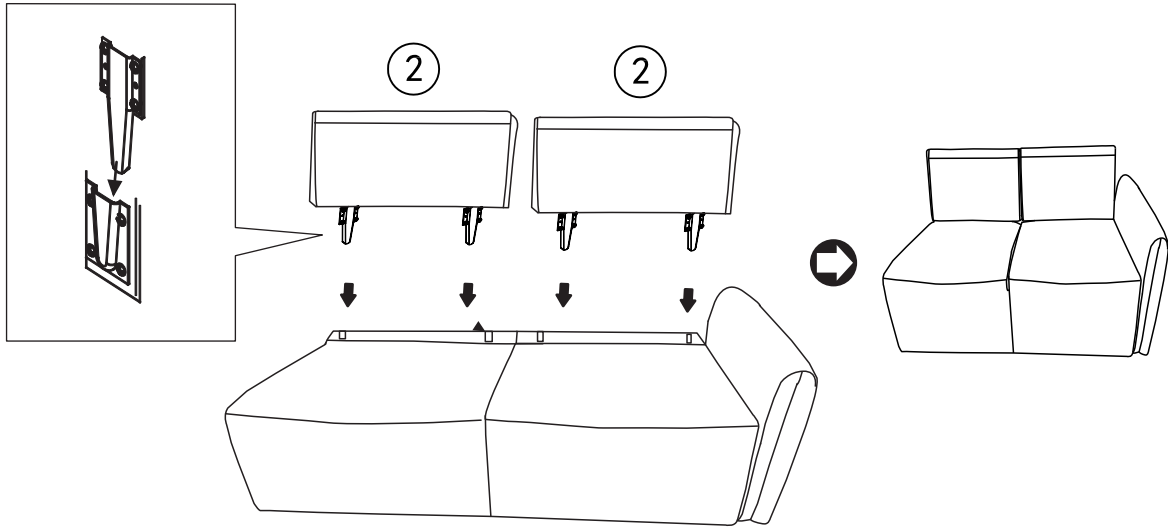
STEP 3:



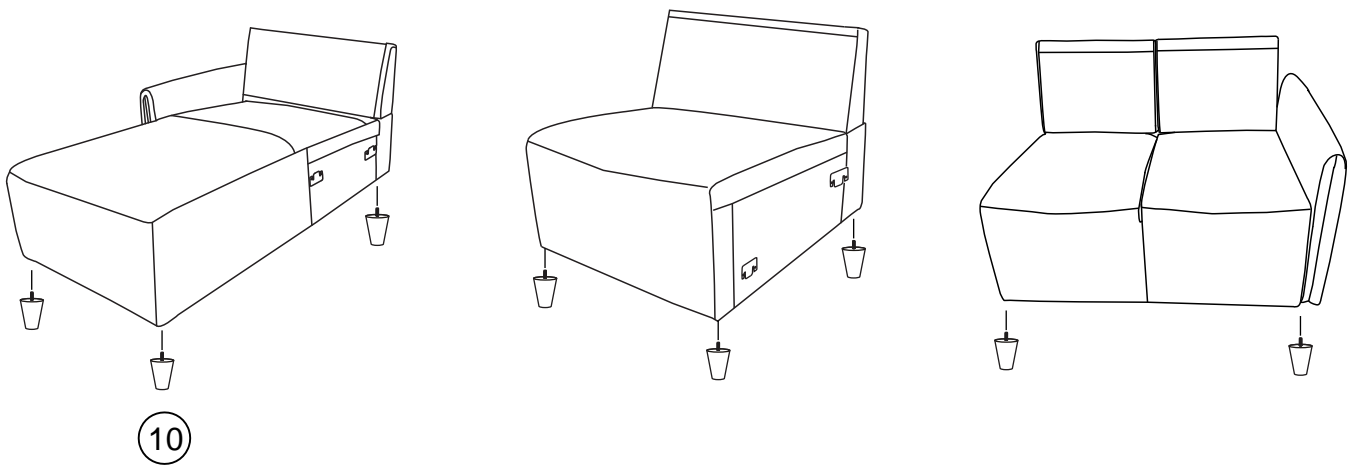
STEP 4:



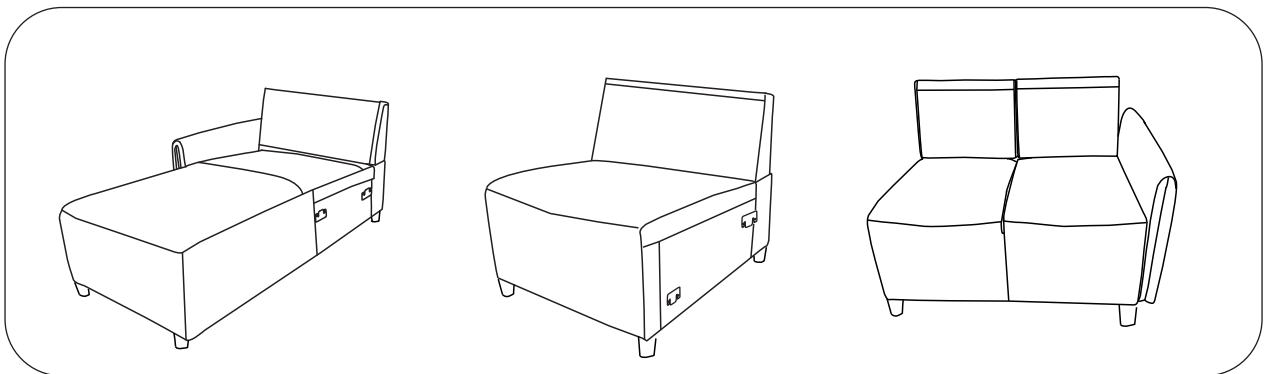
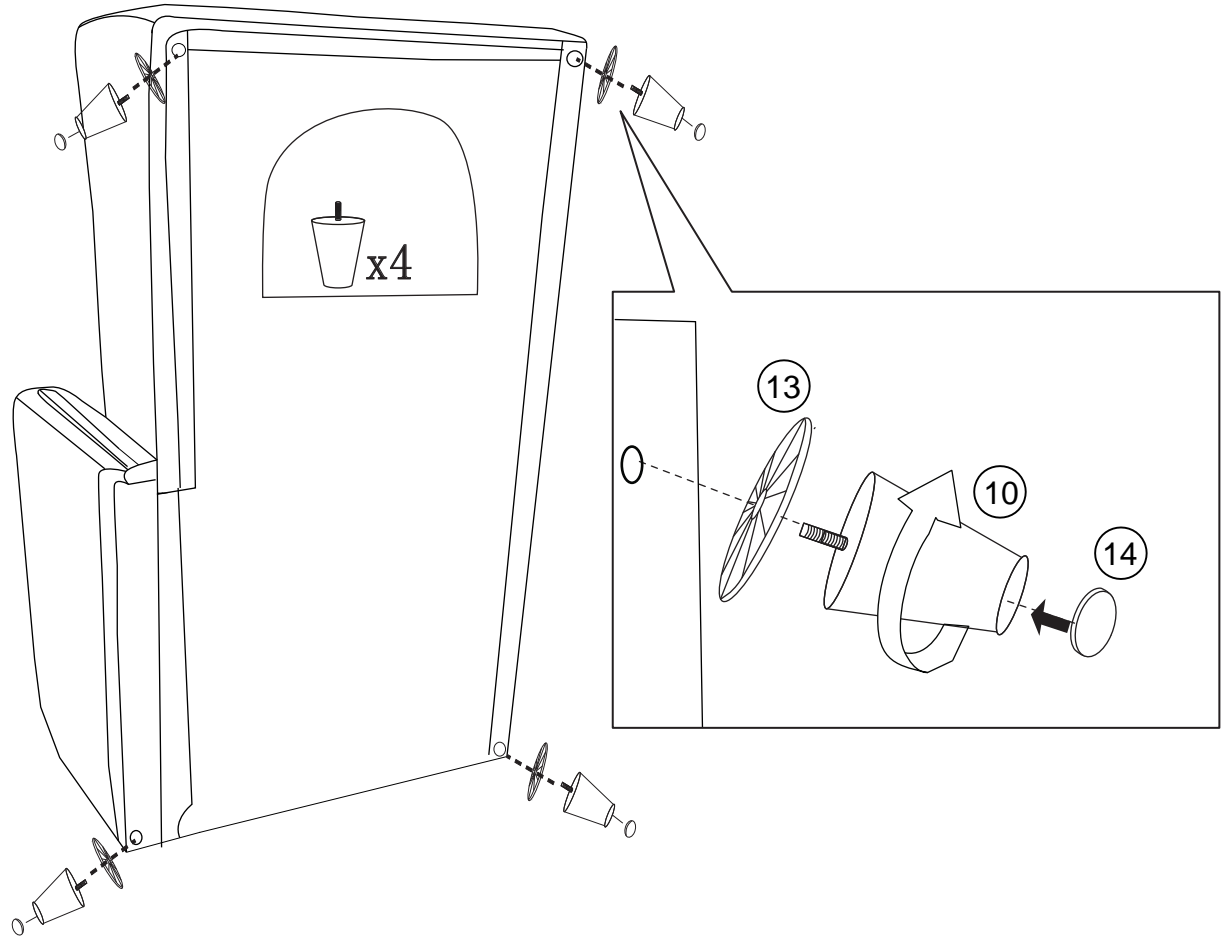
STEP 5:



STEP 6:



STEP 7:

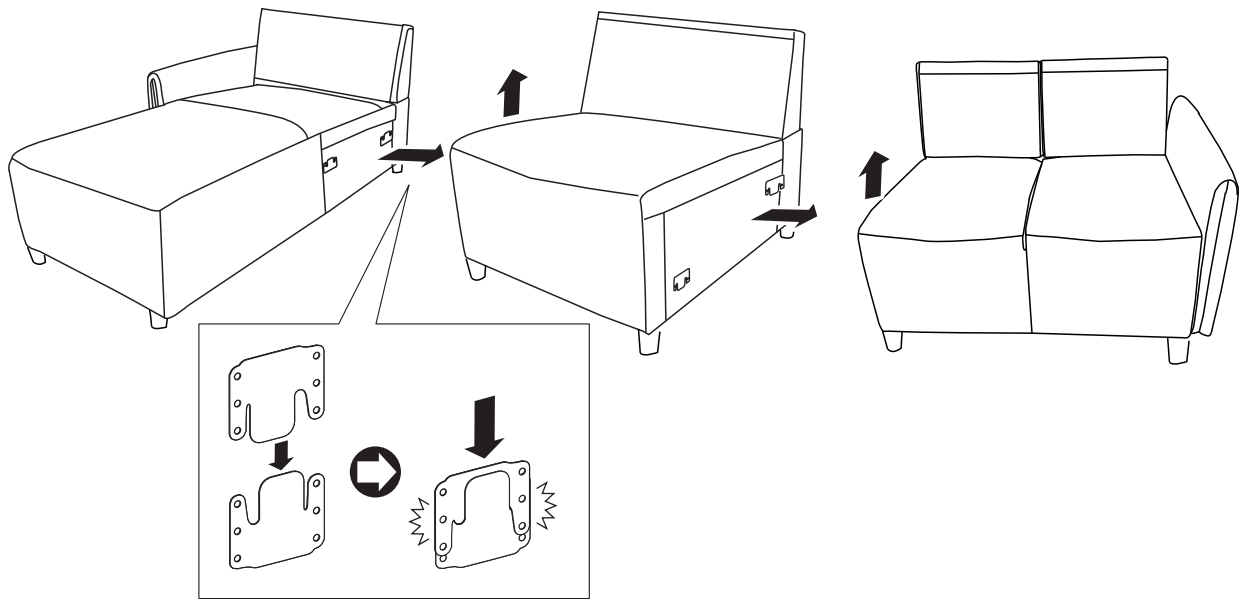


51821

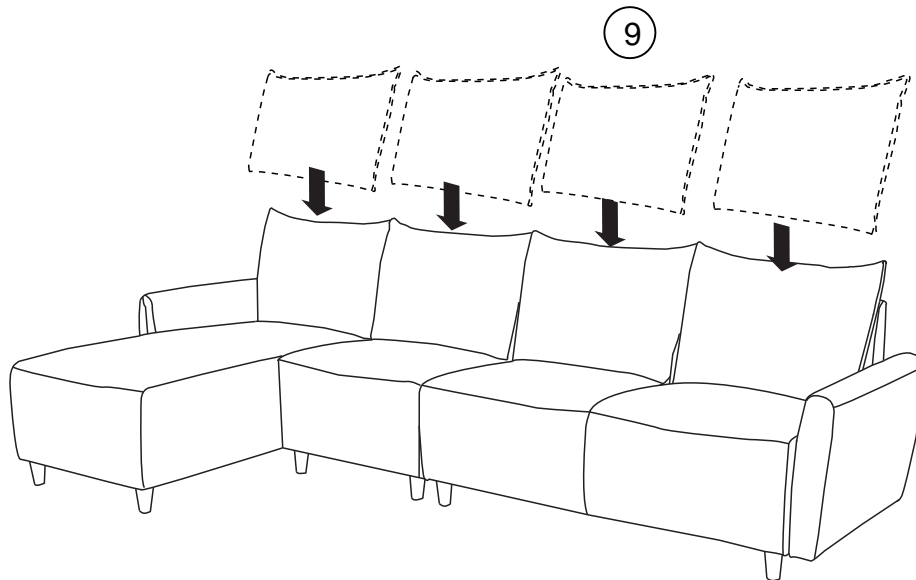
51822

51820

STEP 8:



STEP 9:



STEP 10:

