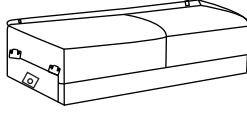
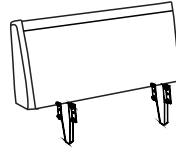
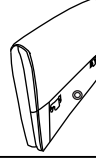
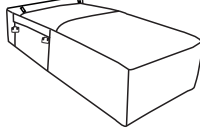
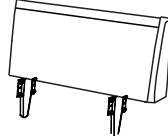
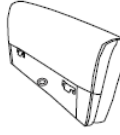
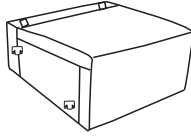
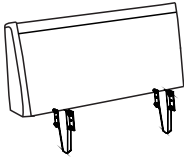
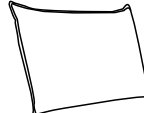



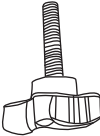
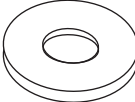
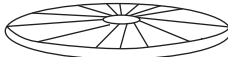

# ASSEMBLY INSTRUCTION FOR ACME FURNITURE

## MODEL# 51820/51821/51822

Thank you for purchasing the quality product. Be sure to check all packing material carefully for small parts which may have come loose inside the carton during shipment. Separate, identify and count all parts and metal hardware. Compare with all parts list to be sure all parts are present. If any part(s) are missing or damaged, please contact your local furniture dealer. For efficient and speedy service, please indicate the model number and code letter of part(s) needed.

\*\*\*Do not fully tighten screws until fully assembled\*\*\*

	COMPONENT PARTS		
DESCRIPTION	PART NAME		Q'TY (PCS)
①	LOVESEAT SEAT		1
②	LOVESEAT BACK		2
③	LEFT ARM		1
④	CHAISE		1
⑤	CHAISE BACK		1
⑥	RIGHT ARM		1
⑦	ARMLESS SEAT		1
⑧	ARMLESS BACK		1
⑨	PILLOW		4
⑩	WOODEN LEG		12

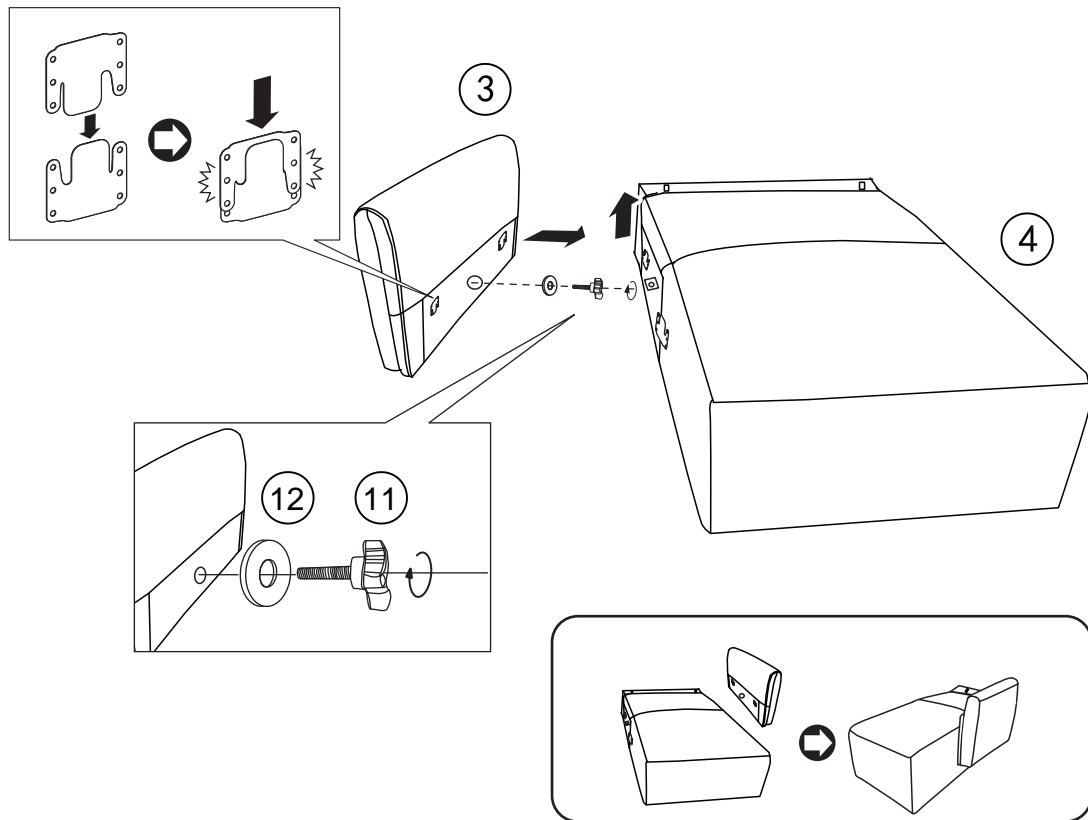
COMPONENT PARTS		
DESCRIPTION	PART NAME	Q'TY (PCS)
⑪	SCREW	 2
⑫	GASKET	 2
⑬	WOODEN LEG GASKET	 12
⑭	LEG MAT	 12

**Attention:**

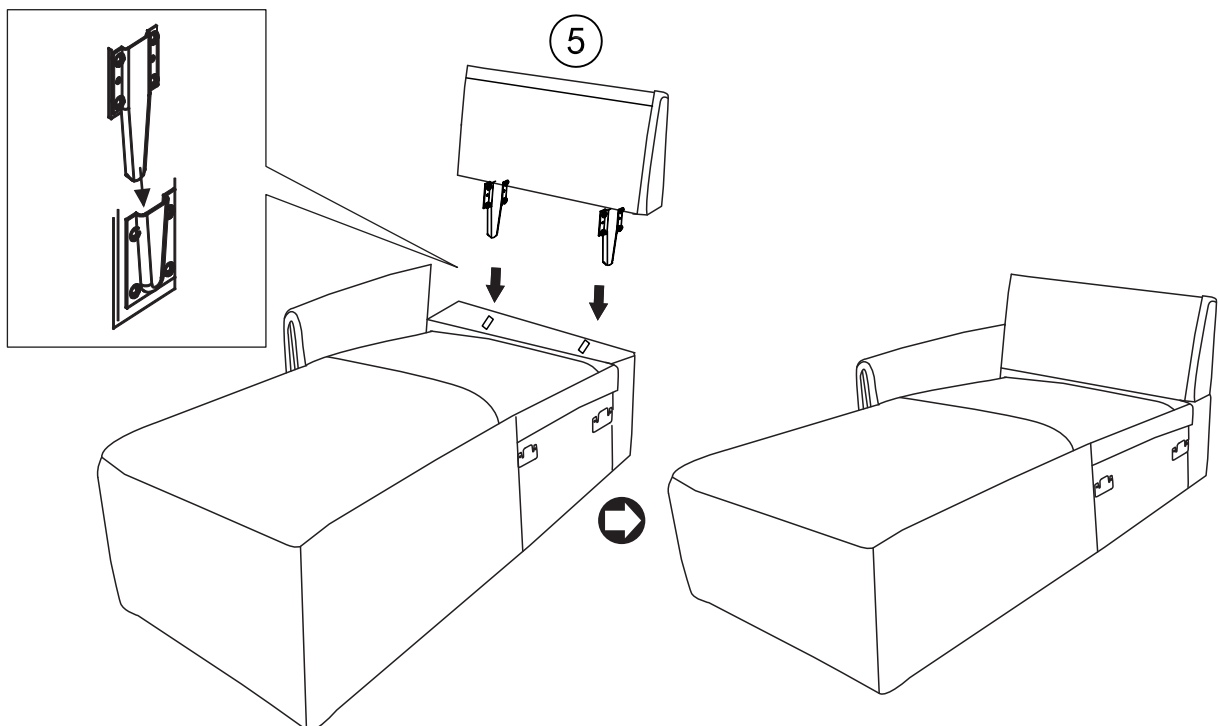
\*\*\* Some number parts listed on the instruction sheet may not be in parts bag as they may already be assembled. Carefully check parts and packing materials prior to ordering replacements.

# How to assemble:

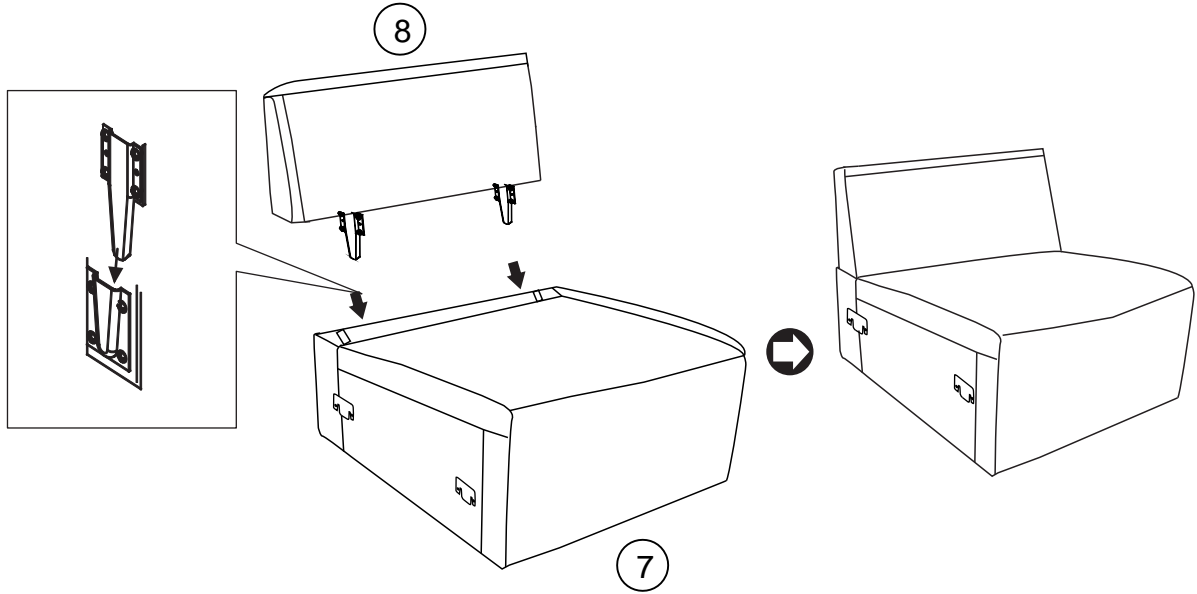
## STEP 1:



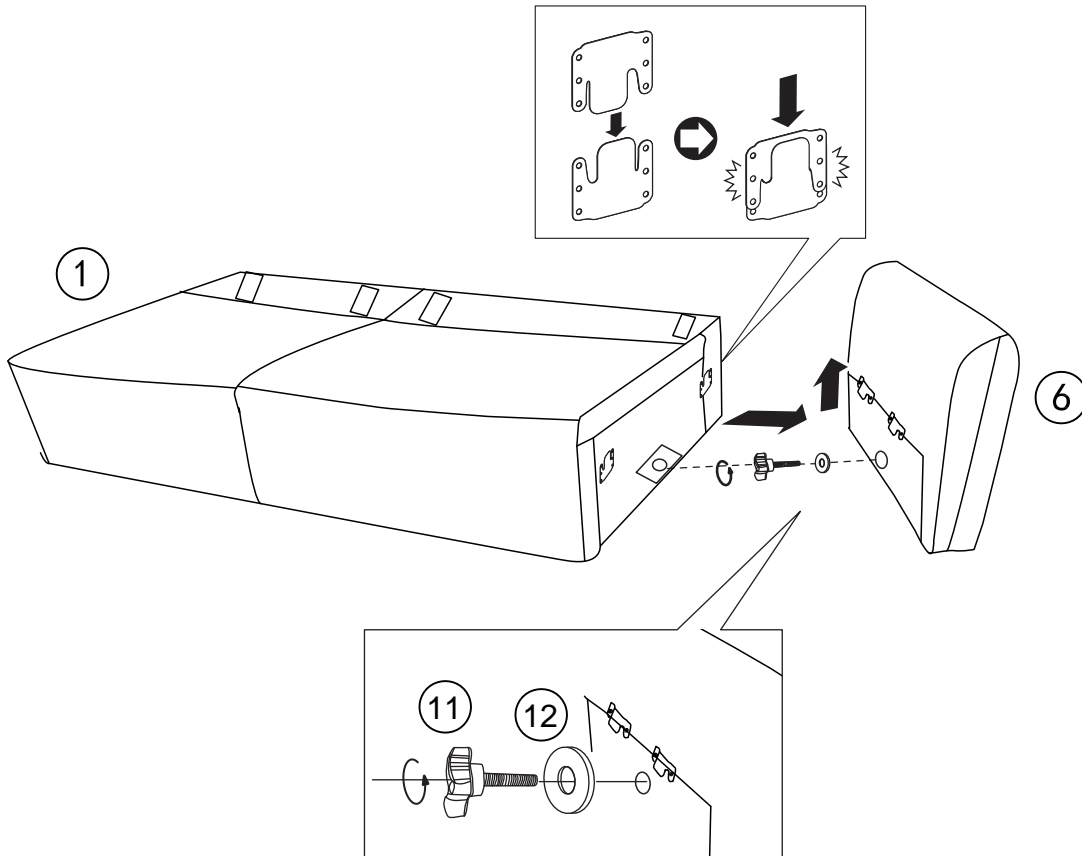
## STEP 2:



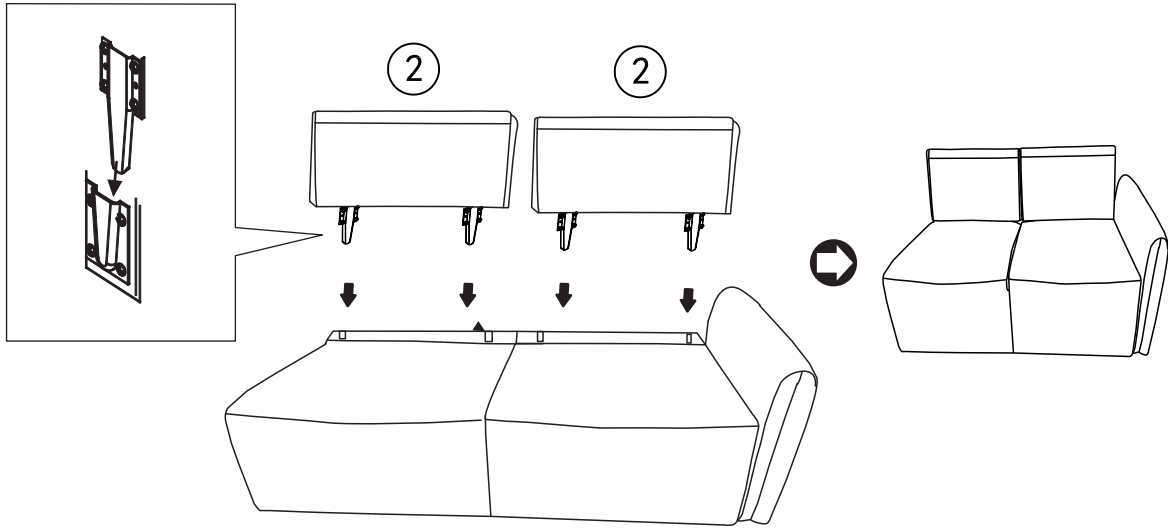
**STEP 3:**



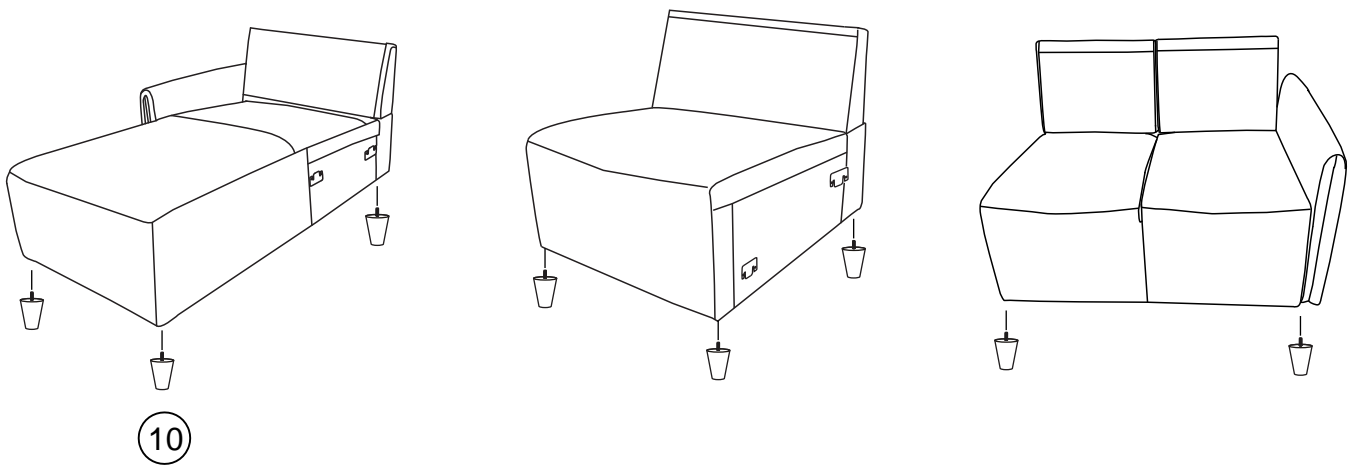
**STEP 4:**



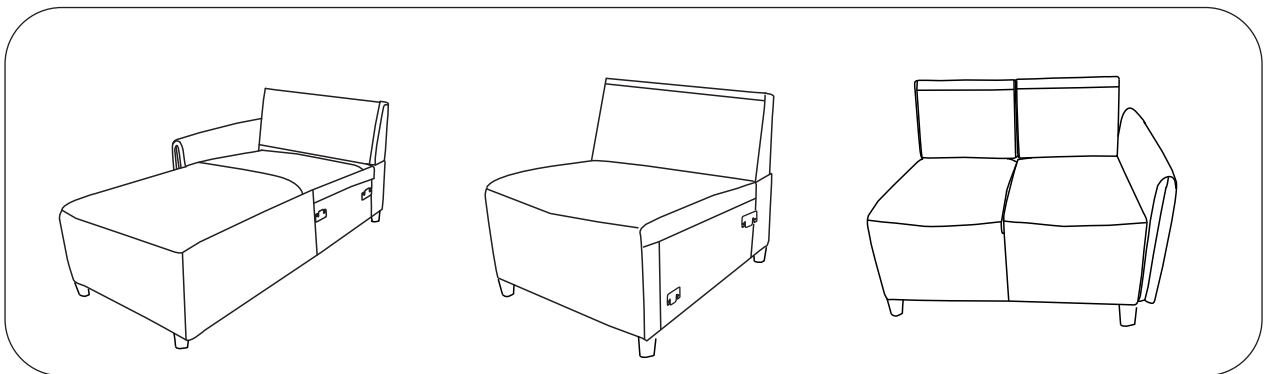
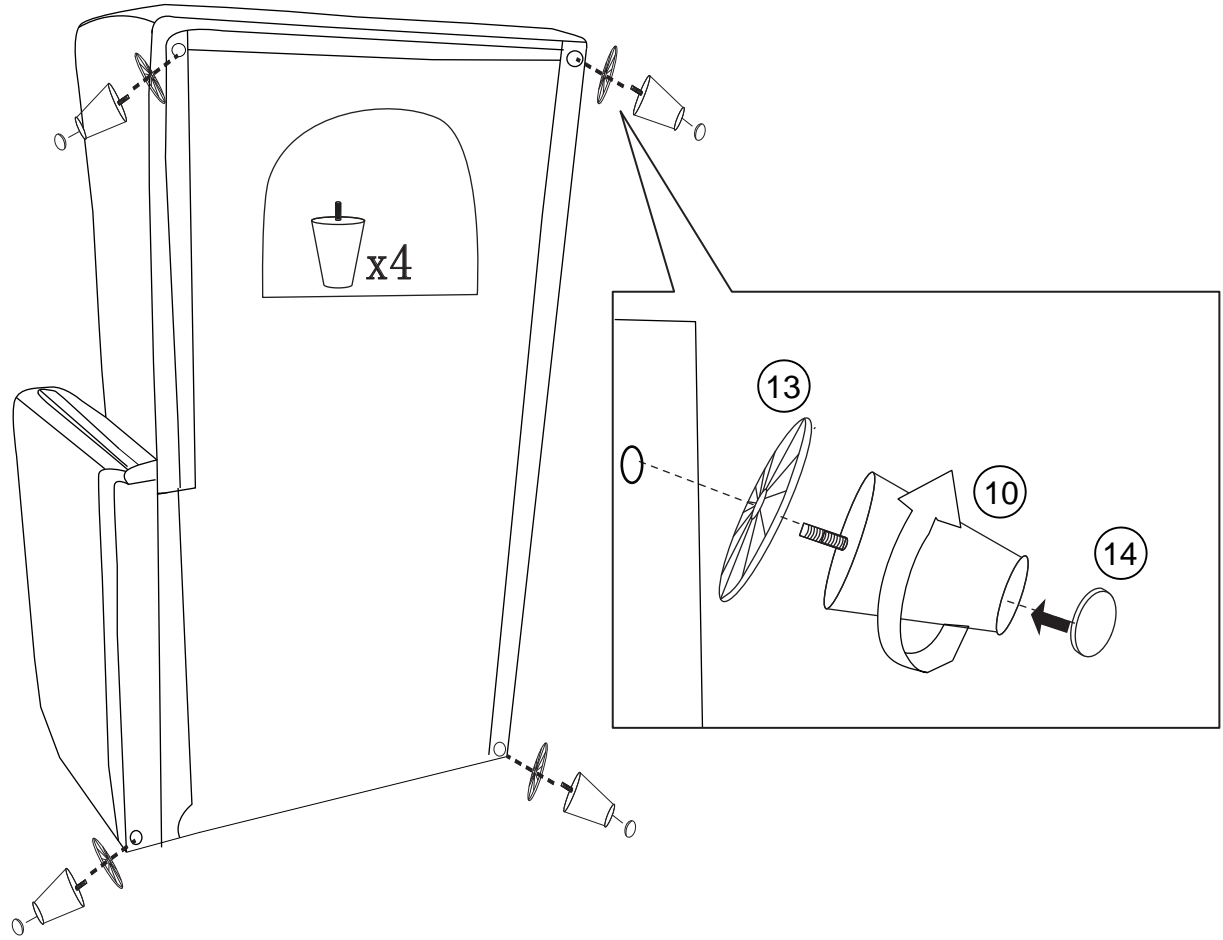
**STEP 5:**



**STEP 6:**



**STEP 7:**

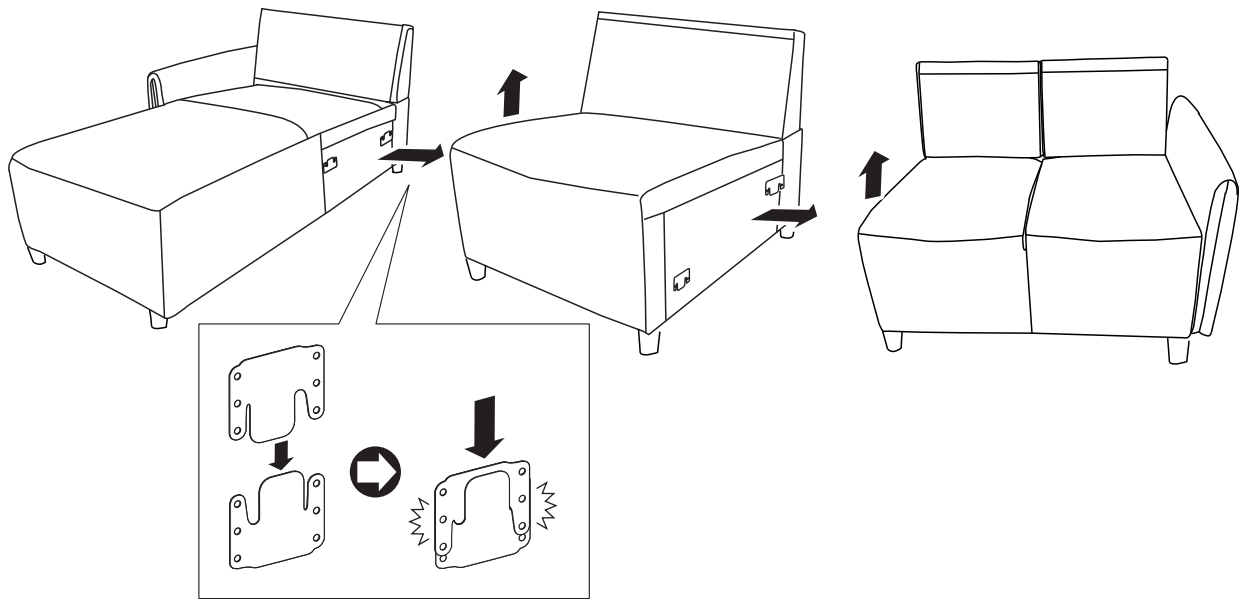


51821

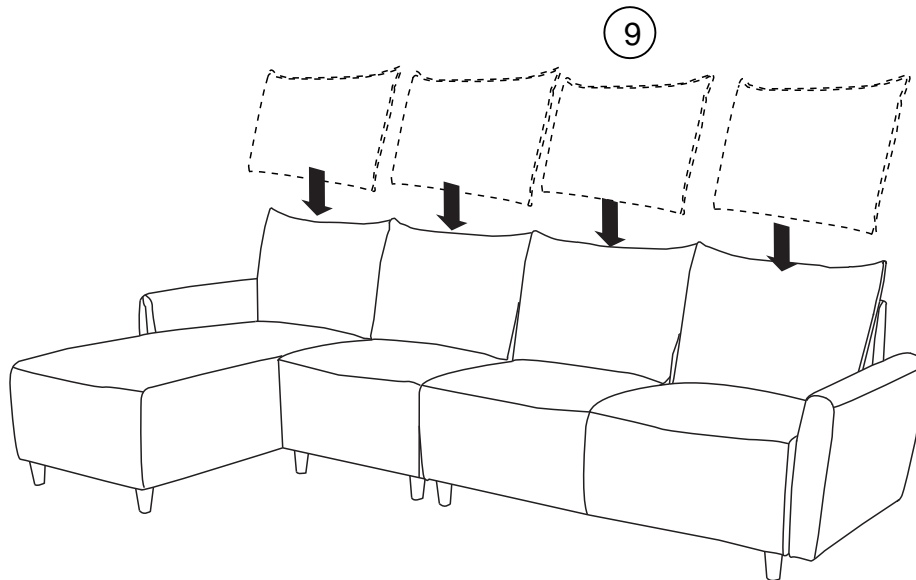
51822

51820

**STEP 8:**



**STEP 9:**



**STEP 10:**

