

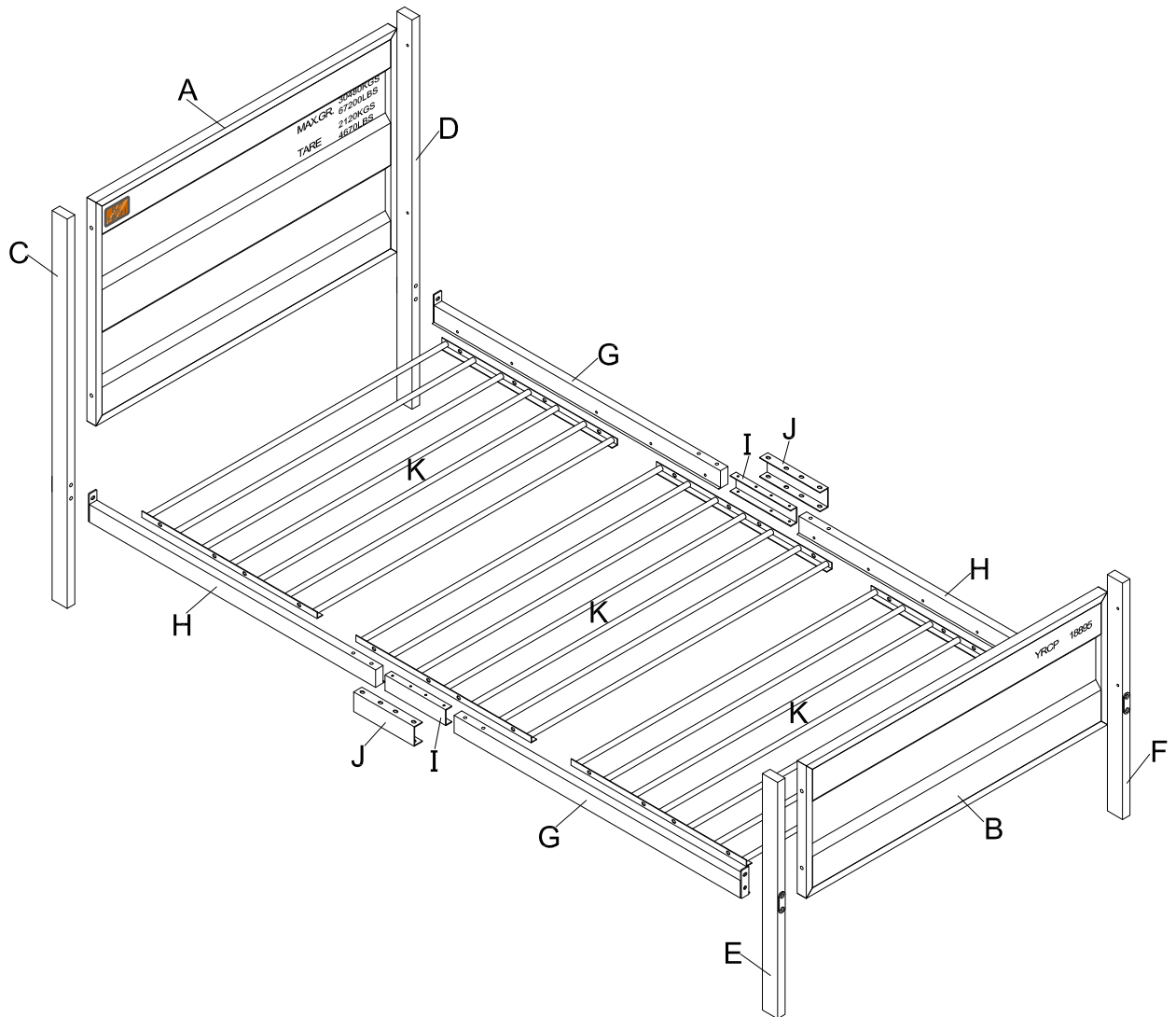
# ASSEMBLY INSTRUCTIONS

ITEM NO.:35920/35900/35950/35930

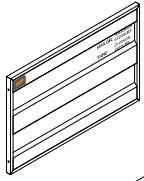
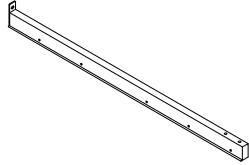
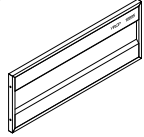
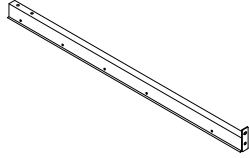

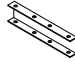

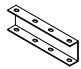

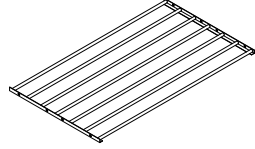



**Do not tighten screws until completely assembled.**

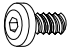







# PARTS IDENTIFICATION

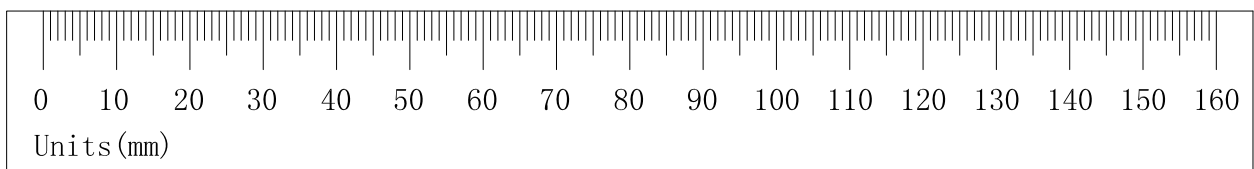


# PARTS IDENTIFICATION

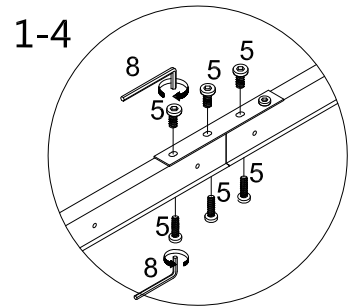
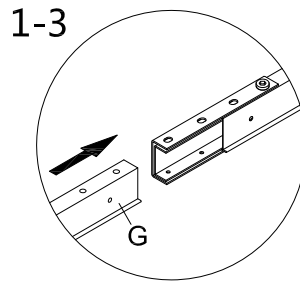
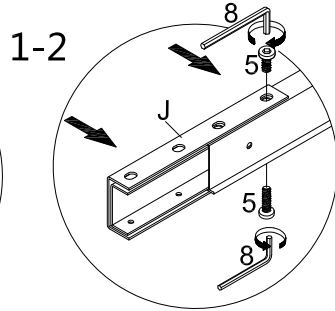
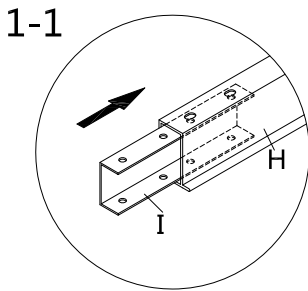
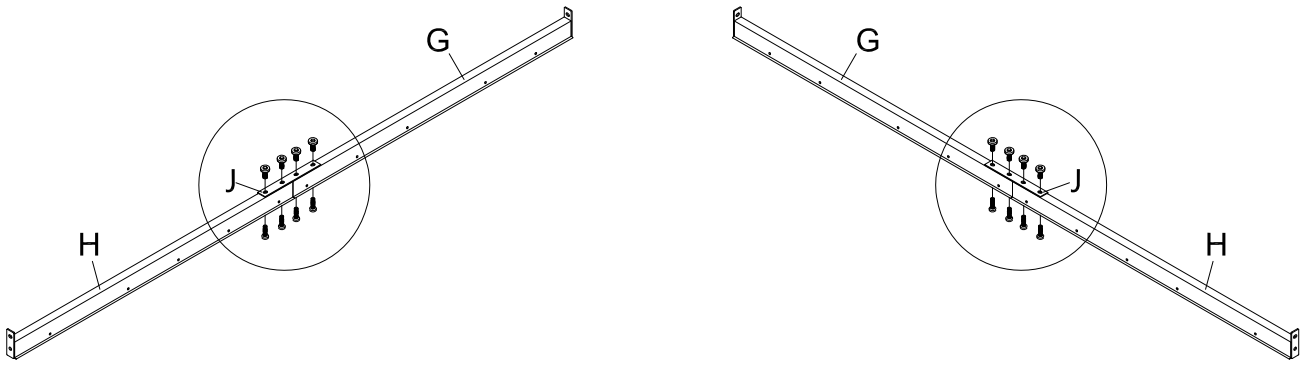
A		1pc		G		2pcs
B		1pc		H		2pcs
C		1pc		I		2pcs
D		1pc		J		2pcs
E		1pc		K		3pcs
F		1pc				


## HARDWARE LIST

1 M6x15  20pcs	2 M6x30  8pcs	3 M6x40  4pcs
4 M6x75  4pcs	5 M8x15  16pcs	6 M6x27  4pcs
7 4x4  2pcs	8 5x5  1pc	

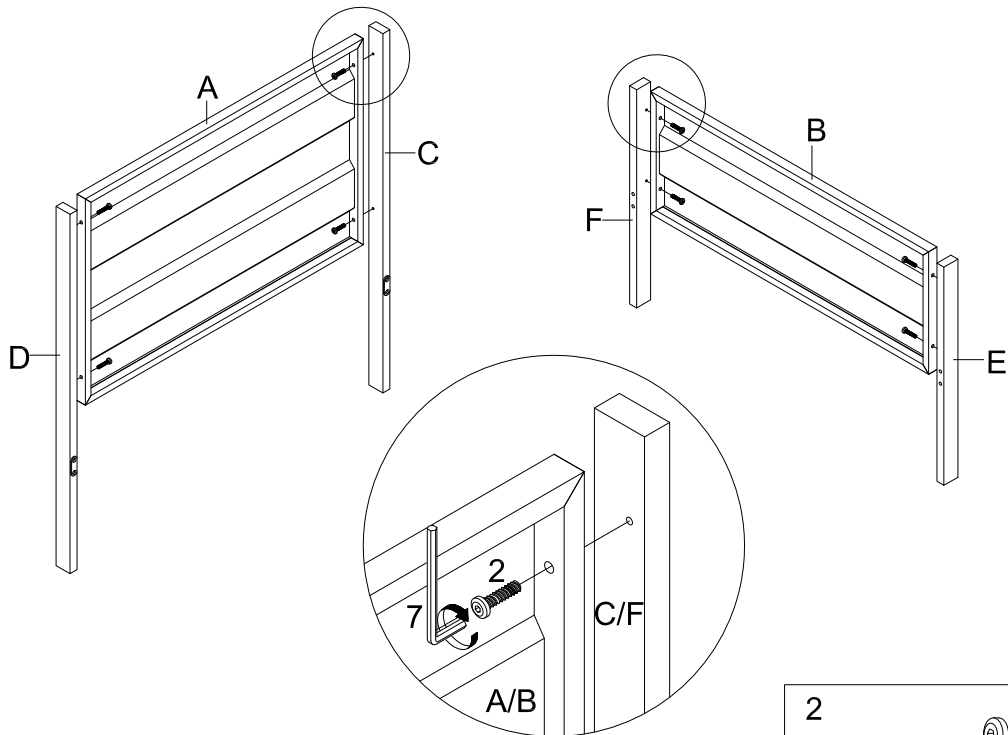



# STEP 1.



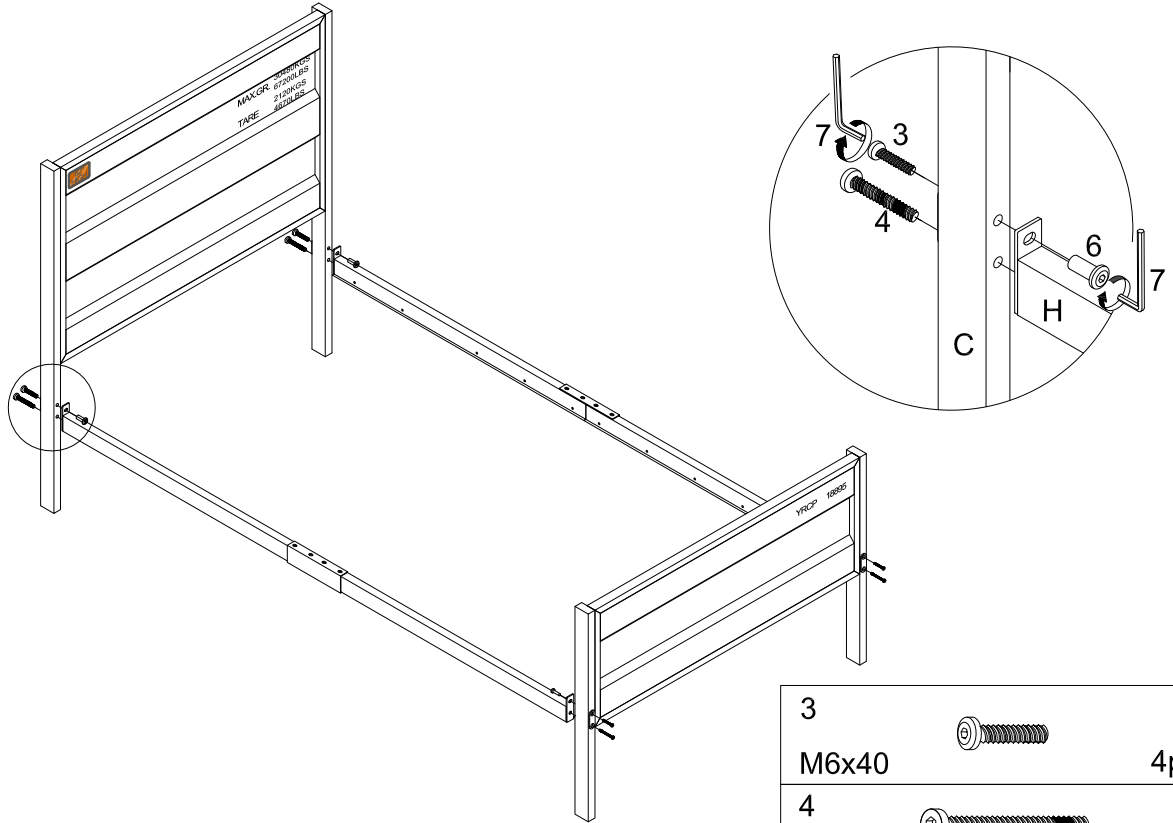
5		16pcs
M8x15		

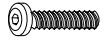

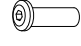
# STEP 2.



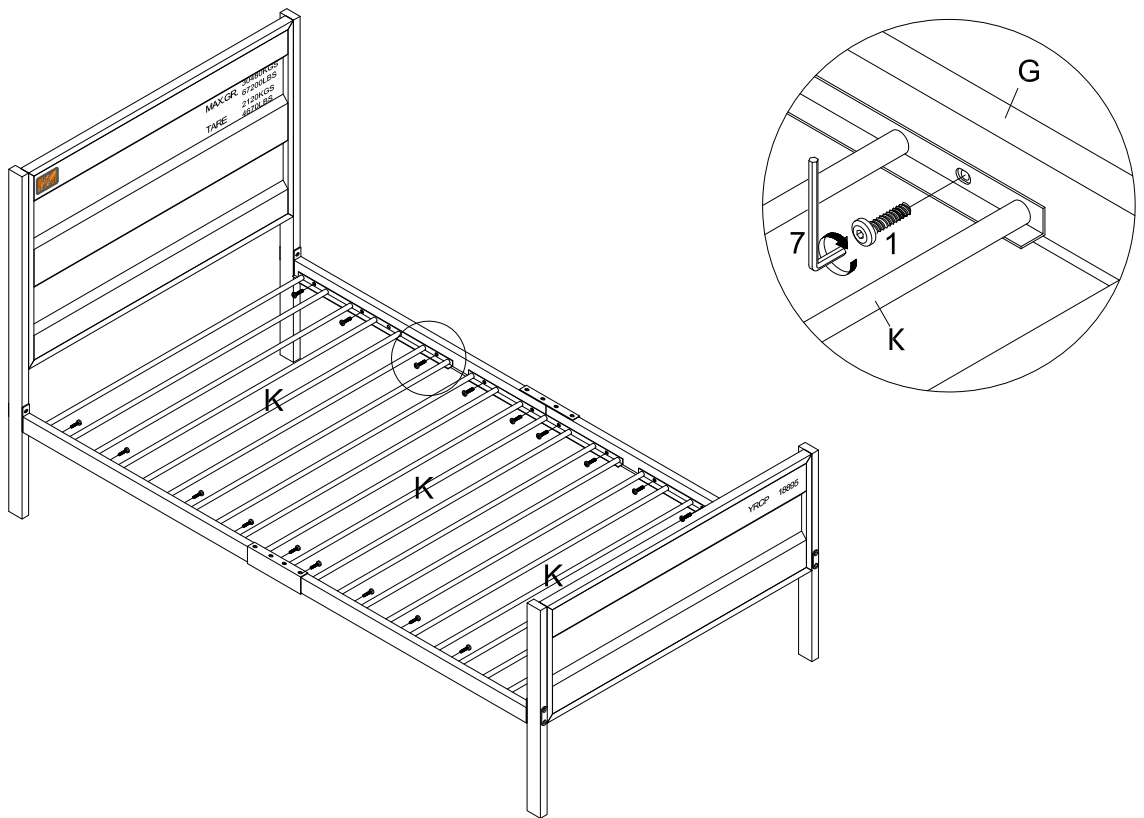
2		8pcs
M6x30		

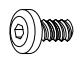
### STEP 3.



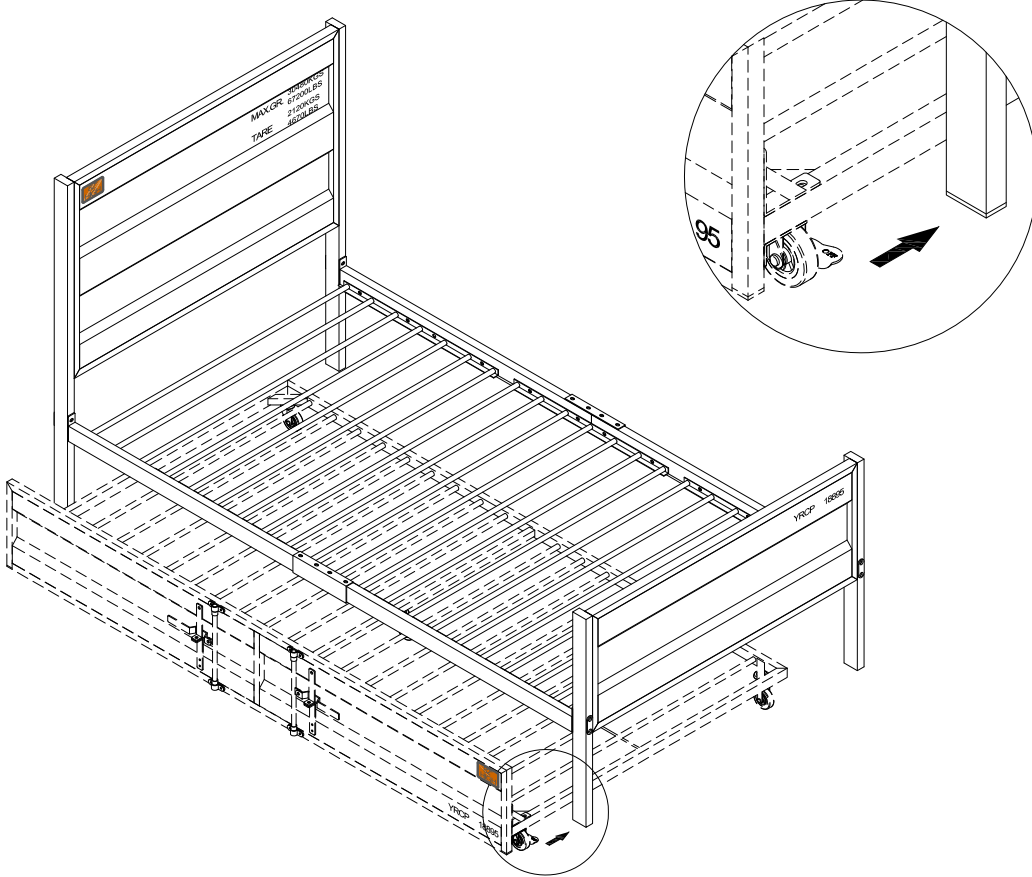
3		4pcs
4		4pcs
6		4pcs

### STEP 4.



1		20pcs
---	---	-------

STEP 5.



STEP 6.

