

257105F

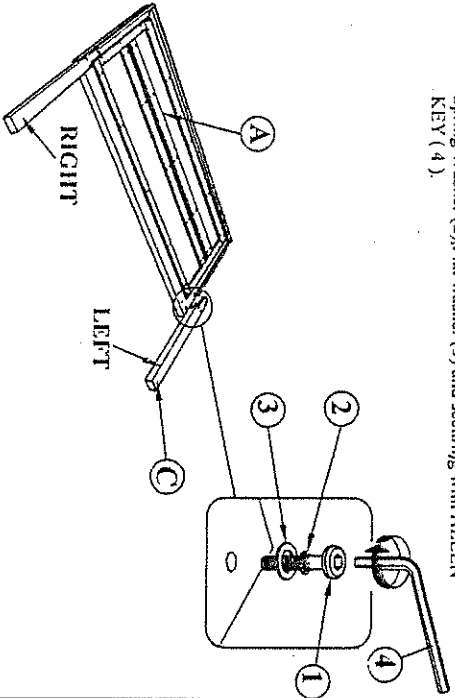
ASSEMBLY INSTRUCTIONS

MODEL: 0138B0162B
FULL BED

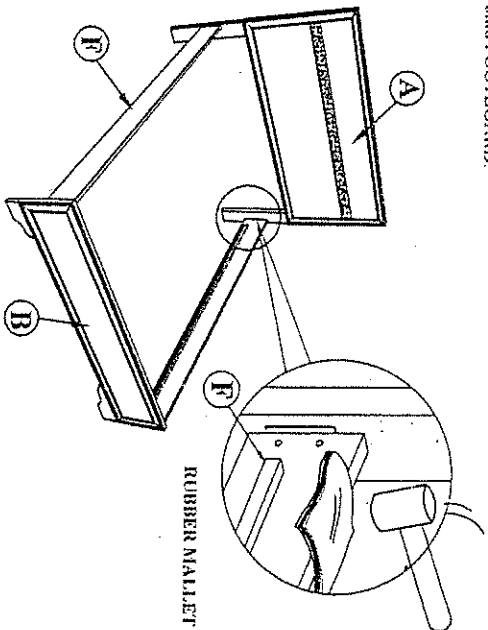
(Box 1)
BOX OF HEADBOARD & FOOTBOARD

No	ITEM	Qty
A	Headboard	1 pc
B	Footboard	1 pc
C	Headboard Leg (L/R)	2 pcs
D	Bed Slats	4 pcs
E	Bed Slats Support 30x30x225mm	4 pcs

STEP 1 : Attach Head Board Leg (C) to Head Board (A) as shown using JCBC BOLT (1) with Spring Washer (2), Flat washer (3) and securing with ALLEN KEY (4).



STEP 2 : Hook SIDE RAIL (F) TO HEAD BOARD closely and push down to fit, repeat step 2 with other end of rail to hook onto FOOTBOARD.



(Box 2)
BOX OF SIDE RAIL

No	ITEM	Qty
F	Side Rail	2 pcs

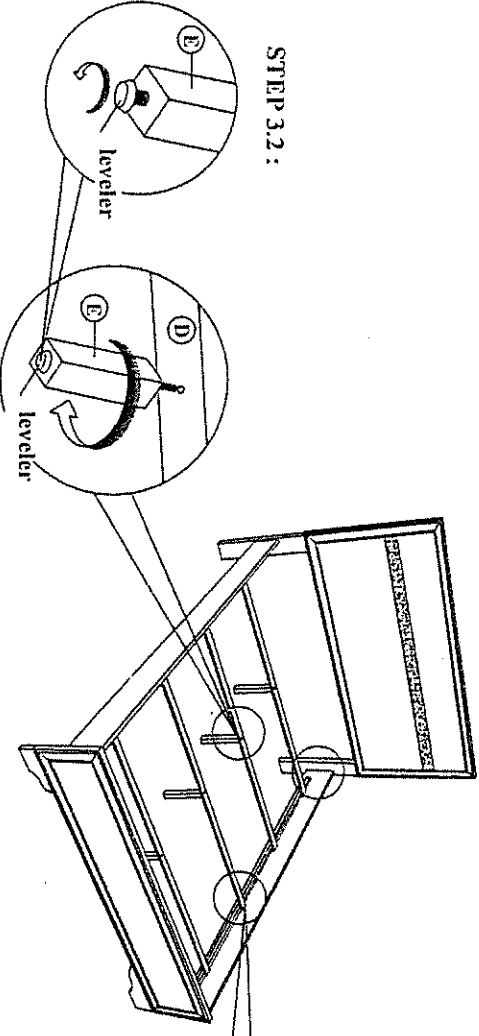
STEP 2 : Fix the Bed Slat Support Leg (E), to Bed Slat (D) as shown. Install the bed slat (D) to side rail (F) and tighten with CSK Screw (5) as per diagram shown. (NOTE: THE SETUP MUST BE DONE AT THE DECIDED LOCATION FOR THE BED TO OBTAIN PERFECT STABILITY)

STEP 3.1 :

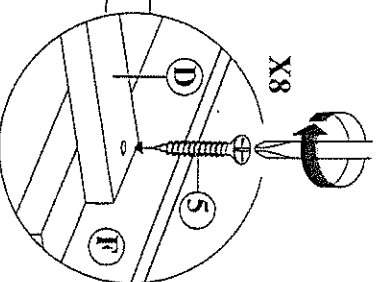
(Box 1)
HARDWARE LIST (HEADBOARD)

No	ITEM	Qty
1	JCBC M6 x 30mm	6 pcs
2	SPRING WASHER 1/4" Rib	6 pcs
3	Flat Washer 1/4" ID x 13mm O.D Bk	6 pcs
4	ALLEN KEY (hex6mm Bk)	1 pc
5	CSK NH x 32mm	8 pcs

STEP 3.2 :



STEP 3.2 :



Fix Slat (D) flush against Side Rail (F) using screw driver & CSK screw (5).

NOTE : MUST TIGHTEN SCREWS PERIODICALLY. SCREW NATURALLY LOOSEN WITH USE. CHECK TIGHTNESS OF ALL SCREW EVERY 6-8 WEEKS.