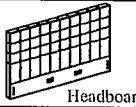
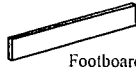



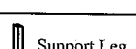
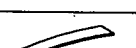
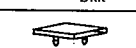
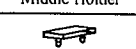
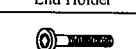
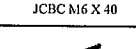
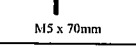
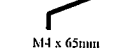
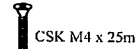
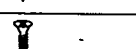


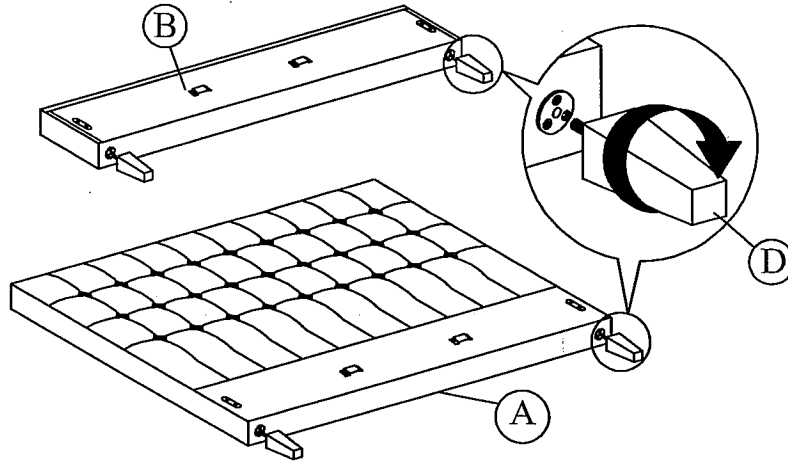
25657 EK

# ASSEMBLY INSTRUCTION

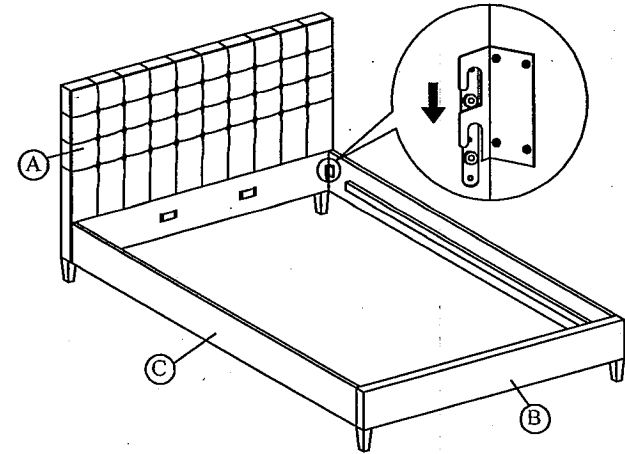
MODEL: CF 8743 (6')

A		1 pc
B		1 pc
C		2 pcs
D		4 pcs
E		2 pcs
F		6 pcs
G		42 pcs
H		28 pcs
I		28 pcs
J		6 pcs
K		1 pc
L		1 pc
M		4 pcs
N		4 pcs
O		1 pc

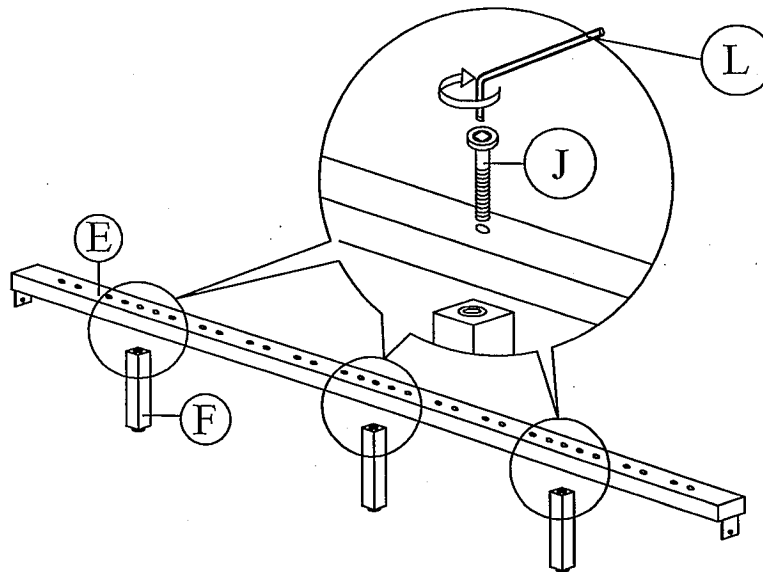
Step 1: Install the legs (D) to footboard (B) and headboard (A).



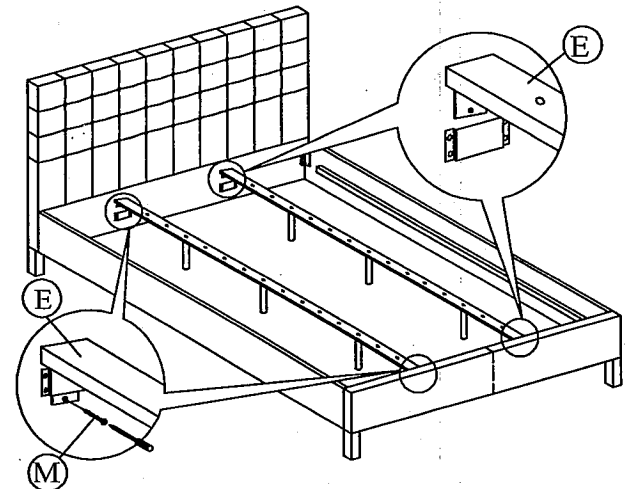
Step 2: Attach side rail (C) to footboard (B) and headboard (A) by pushing the bracket down to fit it.



Step 3: Attach the support legs (F) to the center rail (E) of the bed as shown.



Step 4: Slide the center rail (E) to the headboard (A) and footboard (B). Tighten screws (M) using screw driver (not included) to the headboard (A) and footboard (B).



Step 5: Affix the Stiffener Slat (N) to the side rail support wood and the center rail (E) . Tighten all the 4 corner ,follow by a ssembly of the slat holders with LVL slats as shown.

