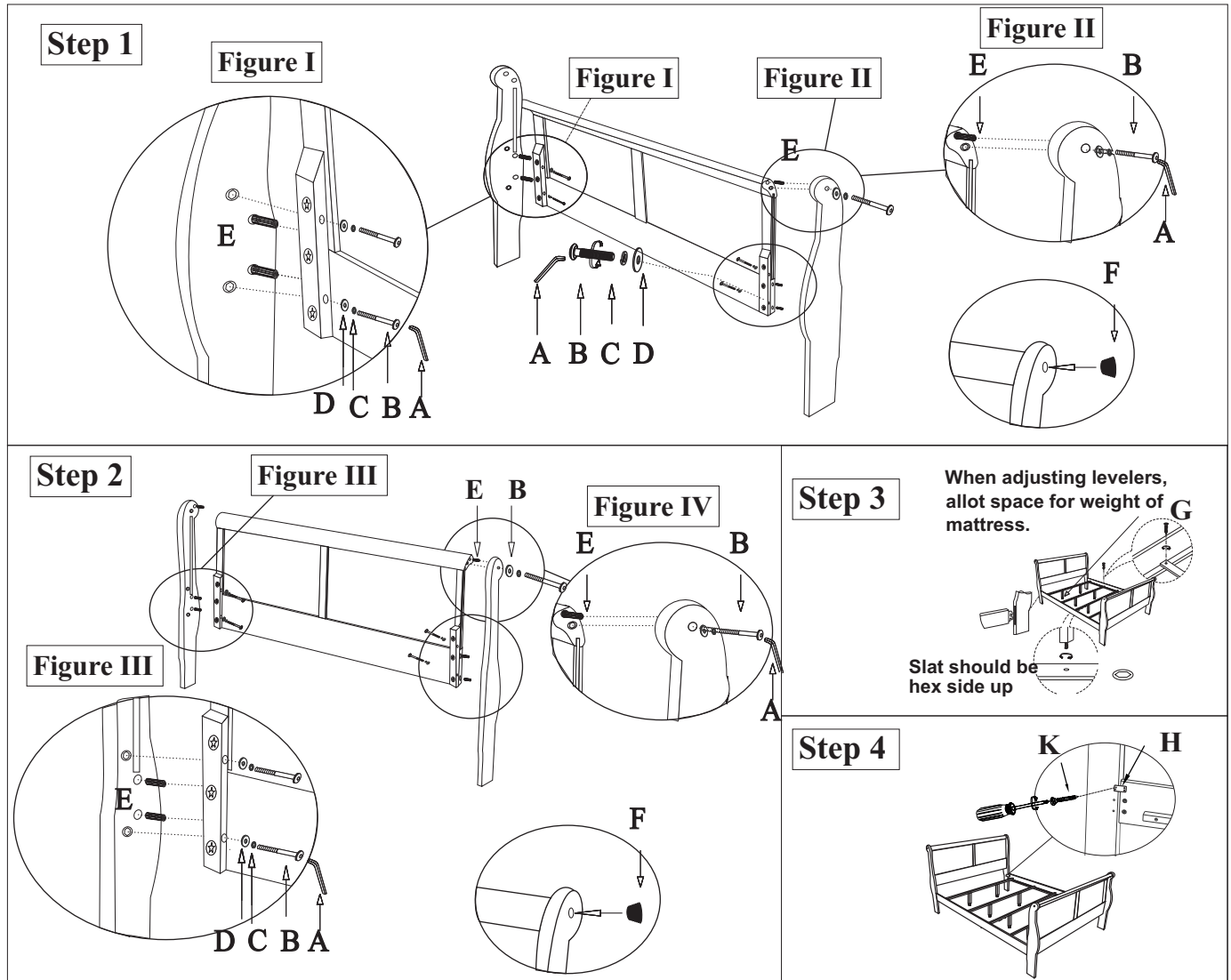


# ASSEMBLY INSTRUCTION

**BLACK:** 19497EK-HF/ 19498EK-R  
**CHERRY:** 19517EK-HF/ 19518EK-R  
**REAL WHITE:** 24497EK-HF/ 24498EK-R  
**ANTIQUE GRAY:** 25497EK-HF/ 25498EK-R  
**PLATINUM:** 26697EK-HF/ 26698EK-R

*Thank you for purchasing this quality product. Be sure to check all packing material carefully for small parts that may have come loose inside the carton during shipment.*



Step	No.	Hardware	Qty
1 & 2	A	Allen wrench 4mm	1
	B	Bolt 1/4 x32mm	12
	C	Spring Washer 1/4"	12
	D	Washer 1/4"x14x2	12
	E	Wood Dowel 10.7x30	12
	F	Wood Plug 16.3x6	4
3	G	Wood Screw 4x30	8
4	H	Iron 60x40	4
	K	Wood Screw 3.5x15	16

**Part List**

 Side Rail 2 pcs			
 SlatEK Bed 4 pcs		 Slat Support 8 pcs	

MADE IN VIETNAM