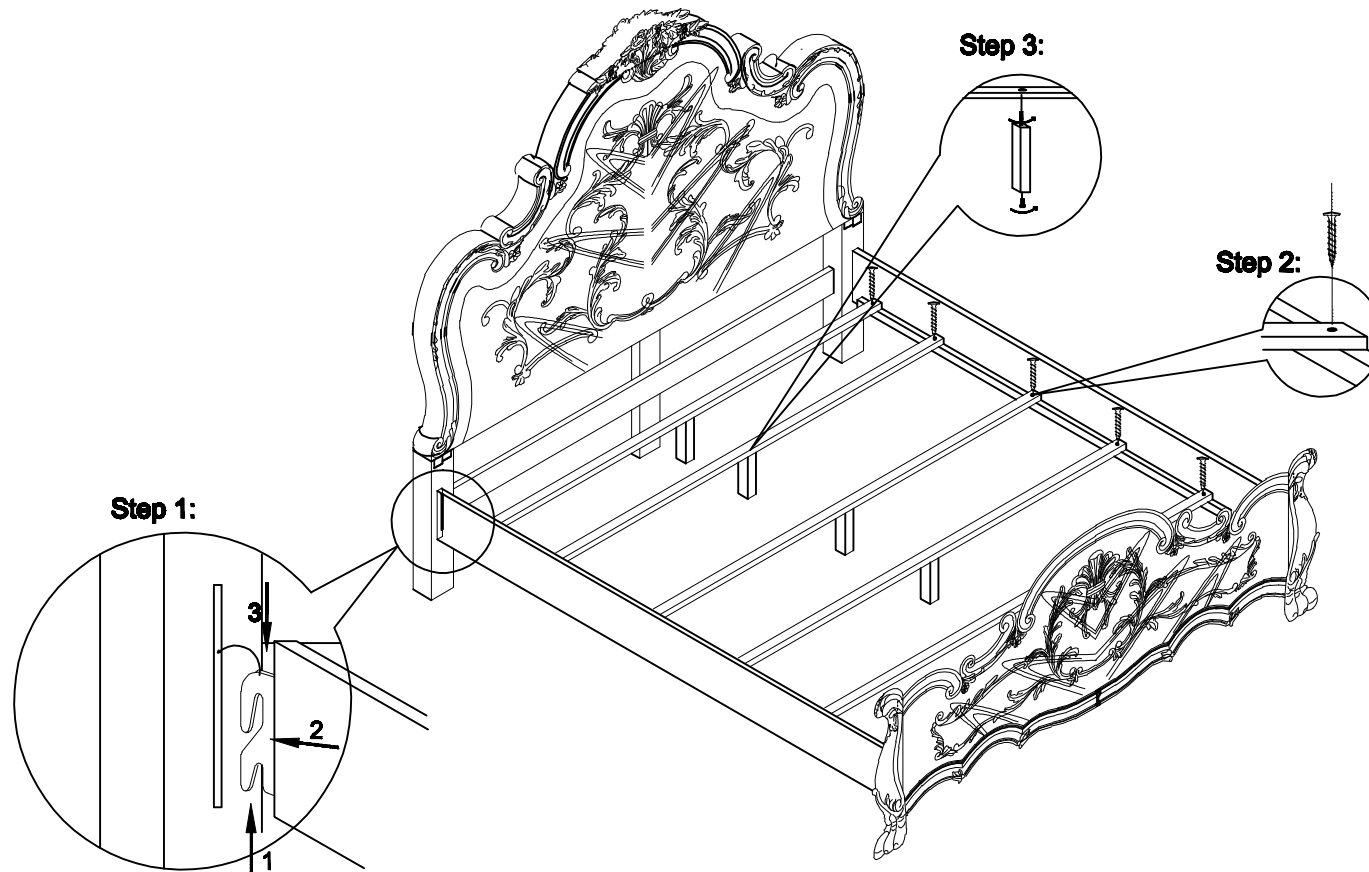
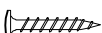


ASSEMBLY INSTRUCTION



Hardware List:

No.:	Description	Drawing	Size	Q' ty
A	wood screw		Ø 8 X 1-1/2"	10