

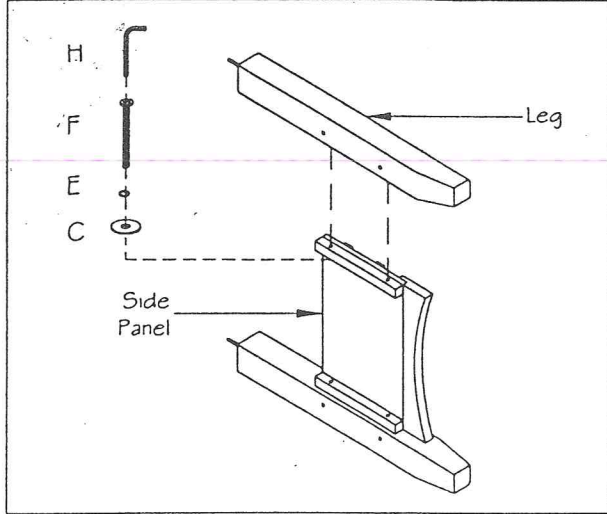
Thank you for purchasing this quality product. Be sure to check all packing material carefully for small parts which may have come loose inside the carton during shipment. Identify and count all parts and compare with the Part List below.

**Assemble the table on flat, soft surface such as carpet or cloth to prevent scratching table finish. Read all the instruction and study the drawings carefully before starting the assemble process.

Caution : Wipe up spills as soon as possible. Please wipe with dry rag right away.

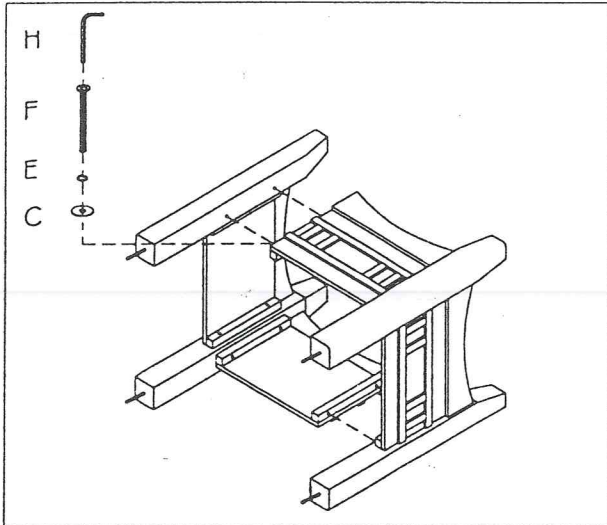
Dining Table Assembly Instructions 7675

Step 1.

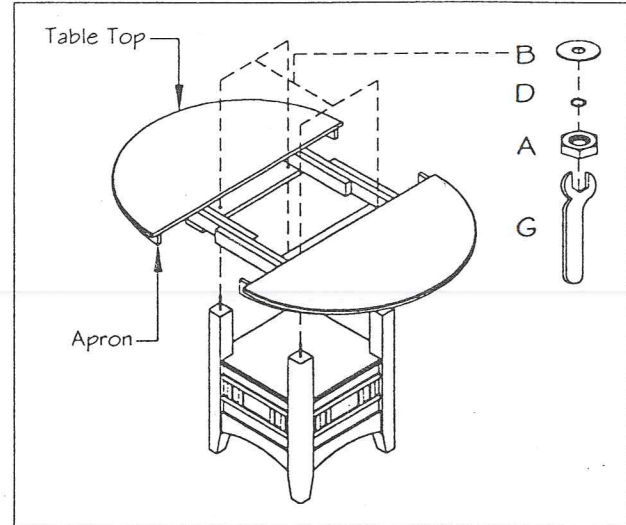


NO		DESCRIPTION	QTY
A		NUT	4
B		WASHER(BIG)	4
C		WASHER(SMALL)	16
D		LOCK WASHER(BIG)	4
E		LOCK WASHER (SMALL)	16
F		BOLT	16
G		WRENCH	1
H		ALLEN WRENCH	1

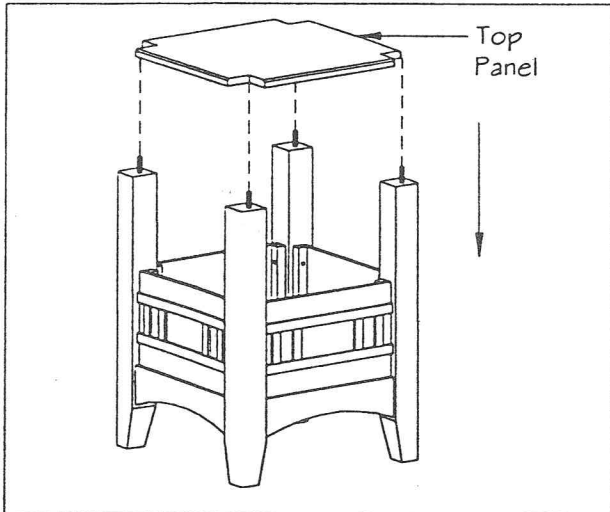
Step 2.



Step 4.



Step 3.



Step 5.

