

ASSEMBLY INSTRUCTION

★ **BEFORE YOU BEGIN...**

(1) Inspect lamp before beginning assembly
All wire connections have been made at the
Factory and the lamp is ready for assembly,
(2) In order to prevent bad connections, avoid
pulling wire connections when removing
contents from the package or during the
installation.

ENCLOSED: YOU WILL FIND THESE PART COCKED ON
THE PART WHERE IT SUPPOSE TO BE COCKED ON.

- 1. HOLLOW SCREW
- 2. PLASTIC SCREWS
- 4. TAPPING SCREW
- 5. CAP

★ **ASSEMBLY INSTRUCTION...**

(1) Insert the threaded nipple of pole(A) into
the base(B), then tighten securely with the
provided nut(C)

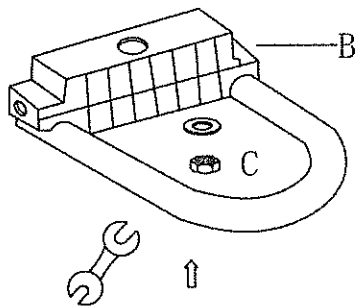
IMPORTANT SWITCH AND LAMPSHADES
MUST BE FACING THE U SHAPE IN SECTION "B"

(2) Connect the wire of pole (A) with the wire
of arch base (D)

(3) Insert the arch base (D) into the pole (A)
tighten securely.

(4) Unscrew the provided screw & re- tighten
screw to pole(A).

(5) Place lamp caps into holder and tighten them up
with plastic rings provided can be found on socket.



CAUTION: TO REDUCE THE RISK OF FIRE
USE 40 WATT TYPE B OR SMALLER LAMP
120V 60Hz ONLY